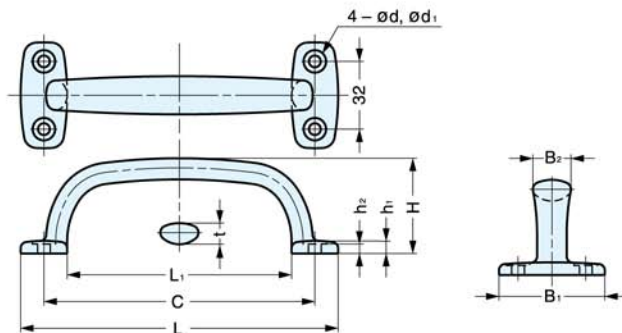


TRANSOM HANDLE



4LC

- Ideal for harsh and high corrosive environments.



Material	Finish
316 Stainless Steel	Mirror

Item No.	L	L ₁	C	B ₁	B ₂	H	h ₁	h ₂	t	d	d ₁	Weight (g)	Box (pcs)	Carton (pcs)	Screw
4LC- 82	82	46	64 (2-33/64")	48	16	36.5 (1-7/16")	5.5	4	8	5	9.5	110	8	96	4 × 20
4LC-114	114	78	96 (3-25/32")			40 (1-37/64")									
4LC-150	150	106	128 (5-1/32")	50	18	45 (1-49/64")	6	4.5	10	6	11	210	3	36	
4LC-180	180	140	160 (6-19/64")			48 (1-57/64")									