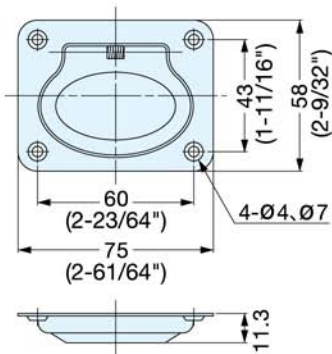


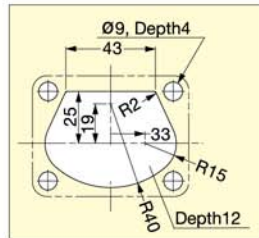
FOLDING RING PULL (SPRING LOADED)



980643



- The pull is recessed into the mounting plate keeping it flush with the mounting surface.
- Low profile design.
- Spring loaded-snaps flat to stay out of the way when not in use.
- Ideal for vibration or shock applications.



Item No.	Weight (g)	Box (pcs)	Carton (pcs)
980643	51	10	200

Material	Finish
304 Stainless Steel	Polished