

# SLIDING DOOR LATCH

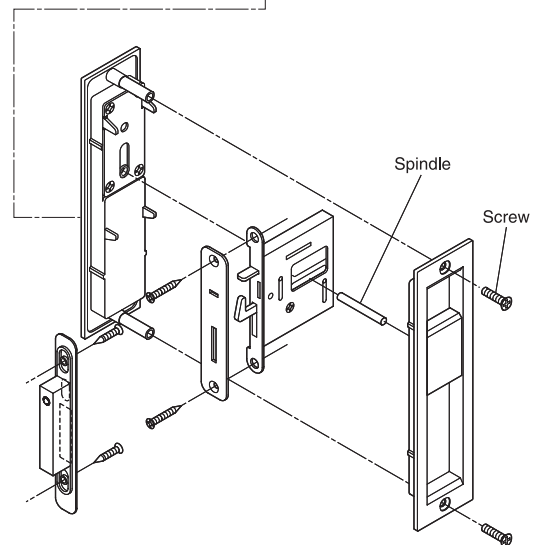
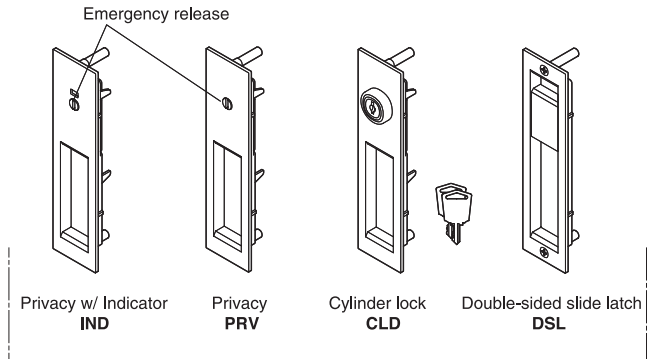
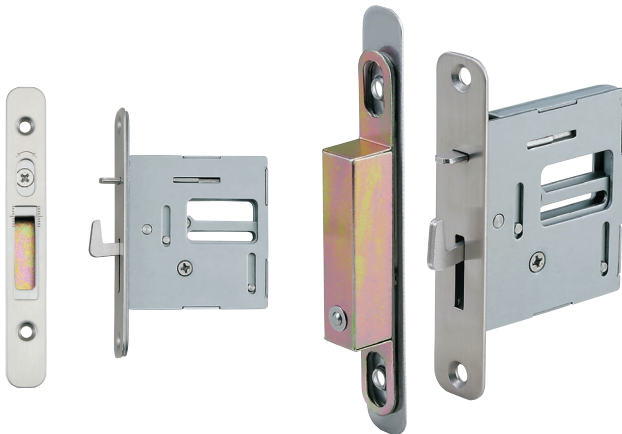


# HC-3051 SERIES



- Recessed latch handle for wooden sliding doors.
- 4 model types available.
- The backset can be installed at any position between 30 mm and 51 mm from the door edge.
- Applicable door thickness: 35-45 mm (1-3/8"~1-3/4"). 3 different lengths of spindles and 2 different lengths of screw are included.
- Initial setting is for 38 mm door.
- For residential interior sliding doors, including pocket doors.

## ■ Latch Body & Strikeplate



## ■ Latch Faceplates



Privacy (PRV)    Privacy w/ Indicator (IND)    Cylinder lock (CLD)    Double sided slide latch (DSL)

The opposite face of every model has a slide handle, as shown for the DSL model.

## ■ Parts Included

- Spindles  $\varnothing 4 \times 35$ ,  $\varnothing 4 \times 39$ ,  $\varnothing 4 \times 43$
- Countersunk head tapping screw 3.5 $\times$ 25 (SUS) for strike & latch body
- Countersunk head screw M4 $\times$ 20, M4 $\times$ 25 (SUS) for latch face plates.

Item Name	Type	Weight (g)	Box (pcs)	Carton (pcs)
HC-3051-PRV-NI	Privacy	531	1	20
HC-3051-IND-NI	Privacy w/ Indicator	535		
HC-3051-CLD-NI	Cylinder lock	557		
HC-3051-DSL-NI	Double Sided Slide	511		

