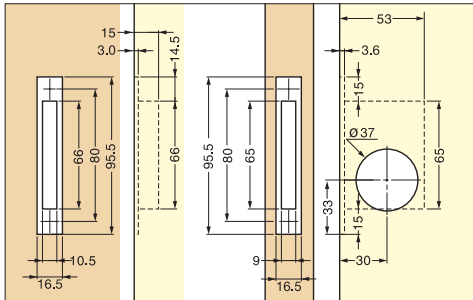
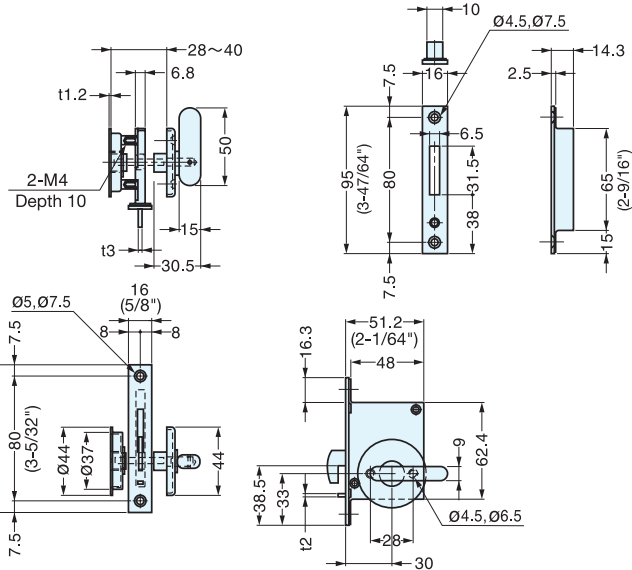


# SLIDING DOOR LATCH



## HC-30L

- Sliding door latch with large lever for easy operation.
- Slim design suitable for various applications.
- Non-handed.
- For door thickness 28-48 mm (1-1/8"~1-7/8").
- For sliding doors only.



Bore Dimensions

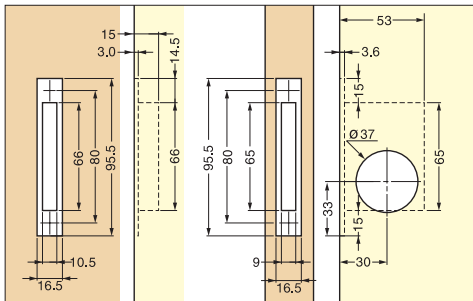
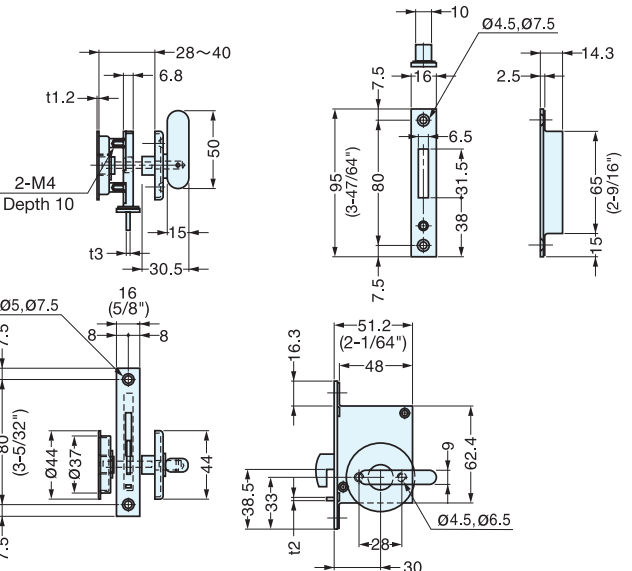
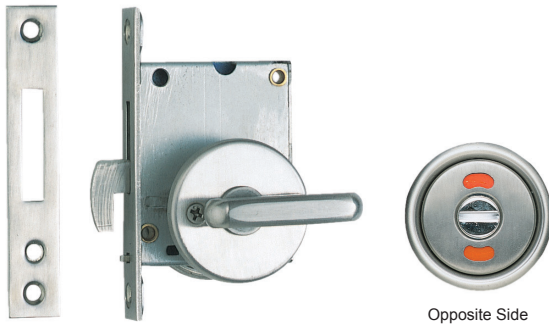
Item No.	Weight (g)	Box (pcs)	Carton (pcs)	Material	Finish
HC-30L	309	5	50	304 Stainless Steel, Brass, Zinc Alloy	Satin

# SLIDING DOOR LATCH (W/INDICATOR)



## HC-30HL

- Sliding door latch with indicator.
- Large lever for easy operation.
- Slim design suitable for various applications.
- Non-handed.
- For door thickness 28-48 mm (1-1/8"~1-7/8").
- For sliding doors only.



Bore Dimensions

Item No.	Weight (g)	Box (pcs)	Carton (pcs)	Material	Finish
HC-30HL	309	5	50	304 Stainless Steel, Brass, Zinc Alloy	Satin