

**LAMP**

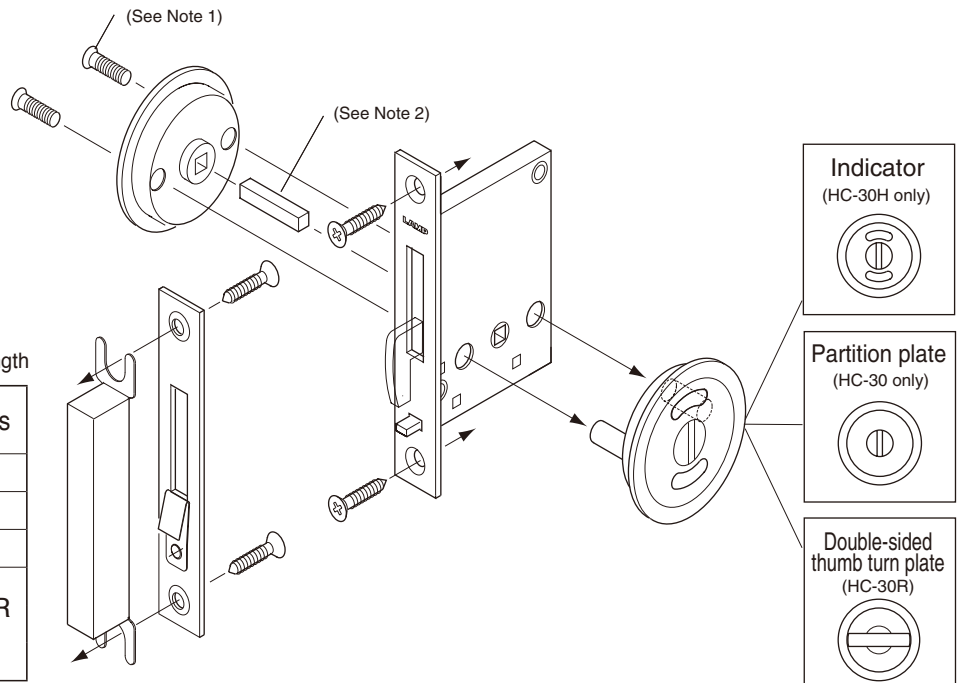
# Sliding Door Latch, Model HC-30, Model HC-30H (with indicator) Model HC-30R (double-sided thumb turn type)

Installation Instruction

**Please read this instruction sheet carefully for proper installation and operation. This instruction sheet should be kept after installation.**

## Parts composition

Check that the package contains items shown below.



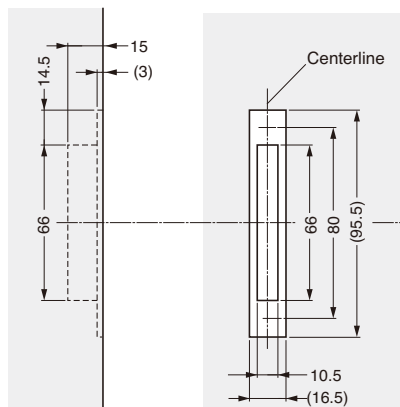
Note 1, 2: Door thickness, screw length and spindle length

Door thickness	Screw length	Spindle length	Remarks
28~31	12	23	
32~36	17	27	
37~40	22	32	
41~44	25	35	HC-30R only
45~48	27	39	
49~52	32	43	

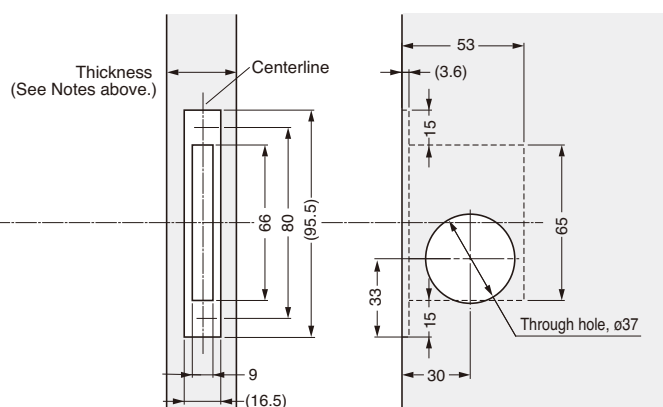
## Door jamb and door preparation

Refer the below drawings for your notch working correctly.

Mounting frame and Mounting plate (Door jamb)

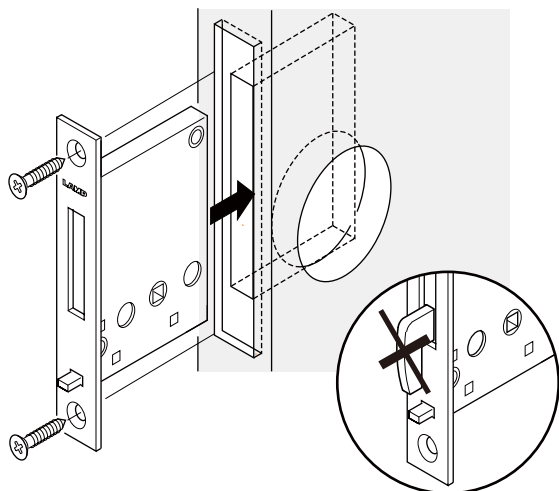


Latch body (Sliding door side)

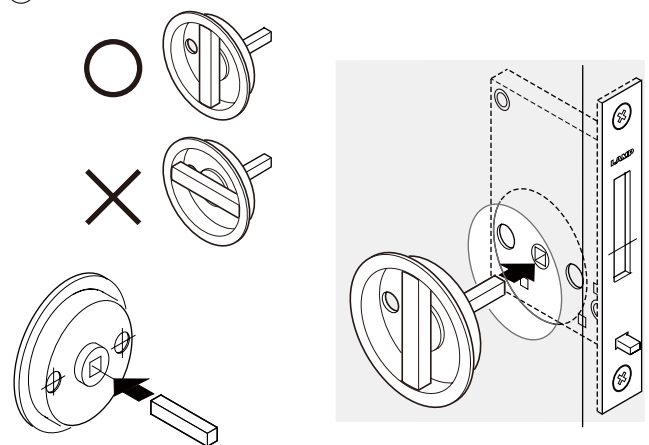


## ■ Installing procedures

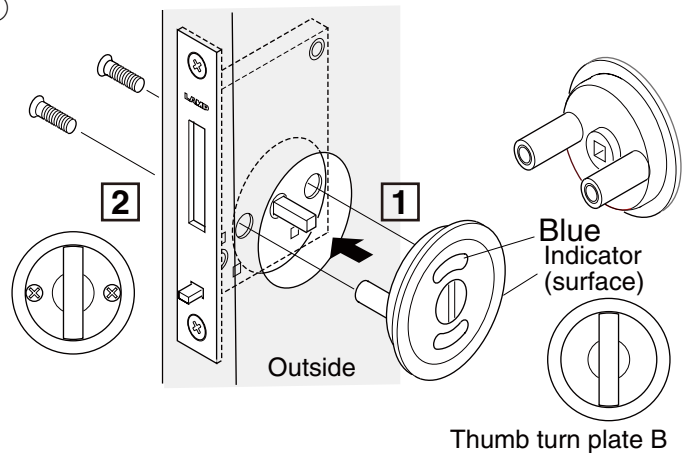
①



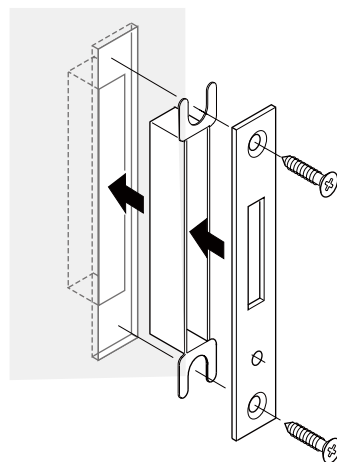
②



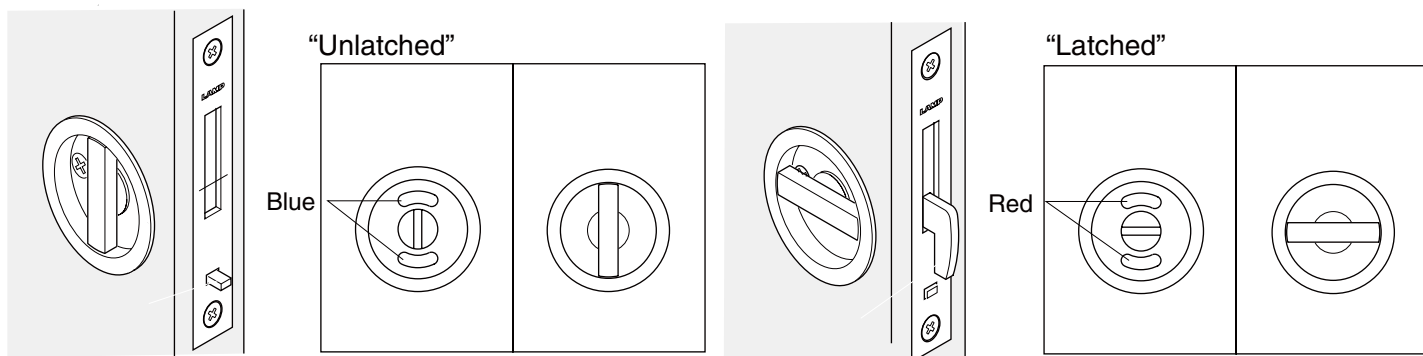
③



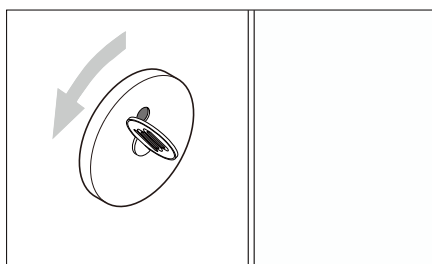
④



## ■ Checking the operation of Latch



## ■ EMERGENCY OPENING



Sugatsune is not liable for any damage or injury caused by improper installation or operation.

**SUGATSUNE KOGYO CO.,LTD.**  
 Phone: +81 3 3866 2260  
 F a x : +81 3 3866 4447  
 E-mail: export@sugatsune.co.jp  
 Website: www.sugatsune-intl.com

**SUGATSUNE KOGYO (UK) LTD.**  
 Phone: +44 118 9272 955  
 F a x : +44 118 9272 871  
 E-mail: sales@sugatsune.co.uk  
 Website: www.sugatsune.co.uk

**SUGATSUNE AMERICA, INC.**  
 Phone: +1 310 329 6373  
 F a x : +1 310 329 0819  
 E-mail: sales@sugatsune.com  
 Website: www.sugatsune.com

**SUGATSUNE SHANGHAI CO., LTD.**  
 Phone: +86 21 3632 1858  
 F a x : +86 21 3632 1868  
 E-mail: lamp@sugatsune.com.cn  
 Website: www.sugatsune.com.cn