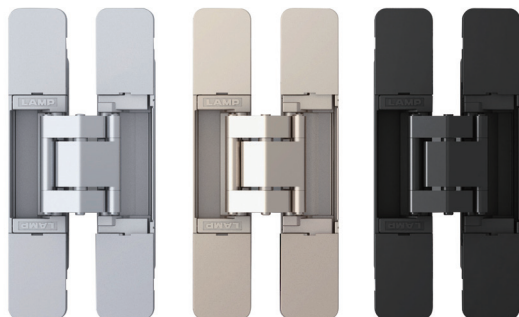


3-WAY ADJUSTABLE CONCEALED HINGE

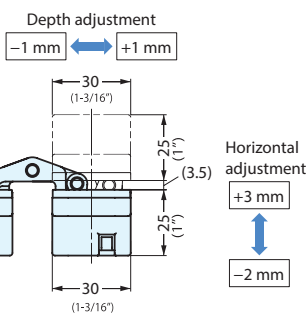
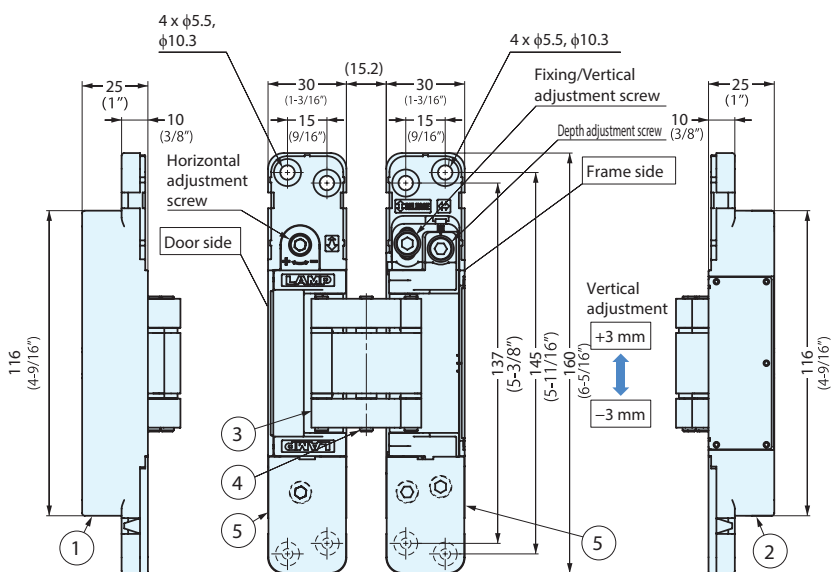


HES3D-E160

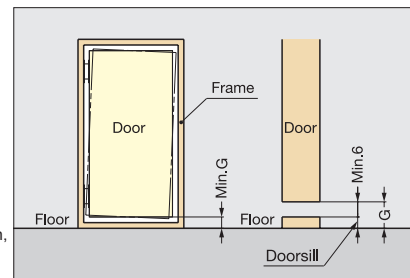
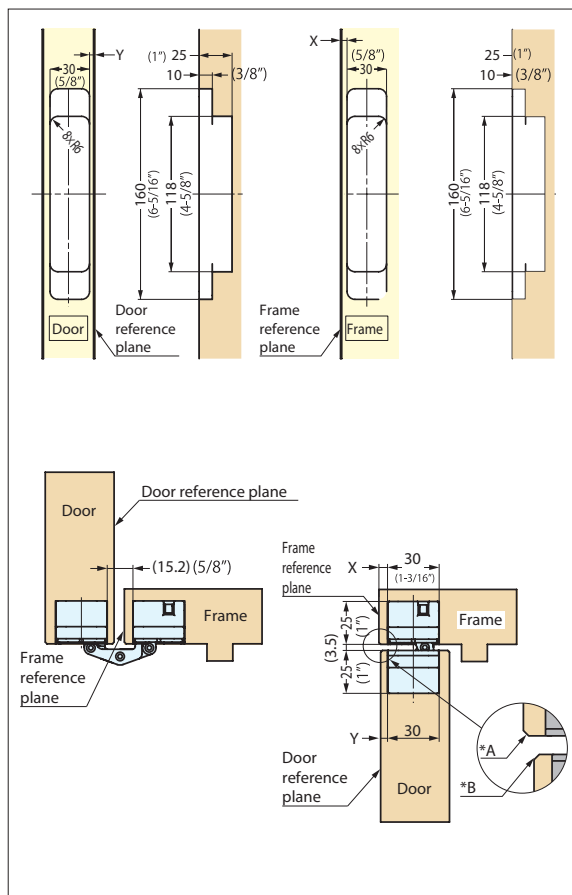
- Easy installation with symmetrical leaves and lift-off feature.
- 3-WAY adjustment function allows vertical, horizontal, and depth adjustment after hinge installed.
- Door Weight Capacity: Max. 55 kg (121 lbs)/2 pcs, 70 kg (154 lbs)/3 pcs
- Door Thickness: Min. 35 mm (1-3/8")
- Max. Door Dimensions: H 2400 mm x W 900 mm (H 94-1/2" x W 35-7/16")
- Successfully passed 300,000 open/ close private cycle tests.



HES3D-E160DC HES3D-E160DN HES3D-E160BL



Bore Dimensions



To determine the door and frame dimension, (G) must be taken into account.
G = Min. 6 mm + doorsill

Item No.	Weight (g)	Box (pcs)	Carton (pcs)	Finish/Color
HES3D-E160DC	760	2	12	Dull Chrome
HES3D-E160DN				Dull Nickel
HES3D-E160BL				Black

No.	Part Name	Material	Finish/Color
①	Body	Zinc Alloy	Dull Chrome (DC), Dull Nickel (DN), Black (BL)
②	Base Frame		
③	Arm	Aluminum	-
④	Pin	304 Stainless Steel	-
⑤	Cover	ABS	Dull Chrome (DC), Dull Nickel (DN), Black (BL)