

# RECESSED PULL (W/DOOR STOPPER)



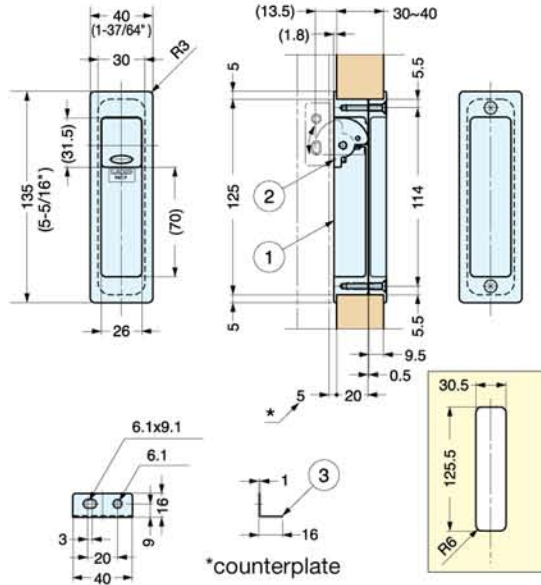
# HH-P135



HH-P135/CR



HH-P135/DC



Bore Dimensions

- Door stopper can be flipped-out to prevent door from entering pocket and pinching fingers.
- Door stopper can be flipped-in to completely open the door.
- Applicable door thickness: 30~40 mm (1-3/16"~1-9/16")
- Can be used on door thickness up to 50 mm (1-31/32") by using longer M4 screws. (Not supplied.)
- Also available in Satin Nickel (SN) finish.

\*In case of using counterplate, change the gap (marked \*) to 7 mm (9/32") to prevent the stopper and plate from hitting or scratching.

No.	Material	Finish/Color
①	Zinc Alloy	Chrome (CR), Dull Chrome (DC)
②	Polyurethane	-
③	Steel	Chrome (CR), Dull Chrome (DC)

[www.sugatsune.com](http://www.sugatsune.com)

**LAMP**  
by SUGATSUNE

**1-800-562-5267**  
(U.S.A. Only)