

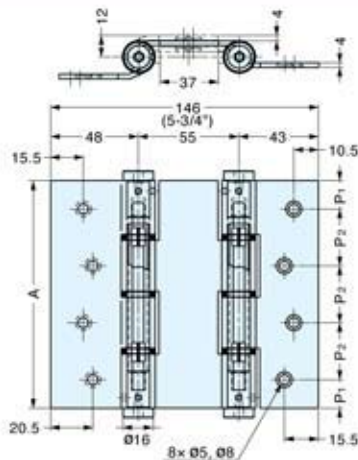
DOUBLE ACTION SPRING HINGE



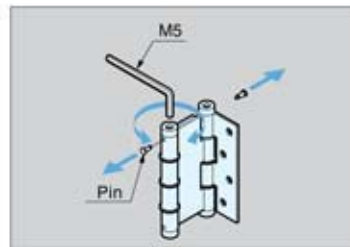
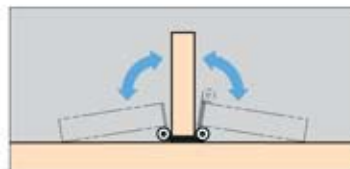
JDAW



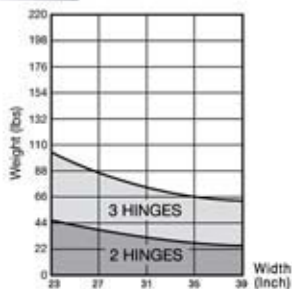
JDAW-120-35A



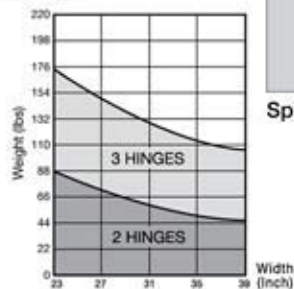
- Spring loaded for self closing.
- Adjustable spring tension.



Spring Adjustment



JDAW-120



JDAW-180

Item No.	A	P ₁	P ₂	Door Thickness	Weight (g)	Box (pcs)	Carton (pcs)	Material	Finish
JDAW-120-35A	120 (4-3/4")	15	30	35 mm	-	2	20	Aluminum	Anodized
JDAW-180-35A	180 (7-1/16")	22.5	45	(1-3/8")					