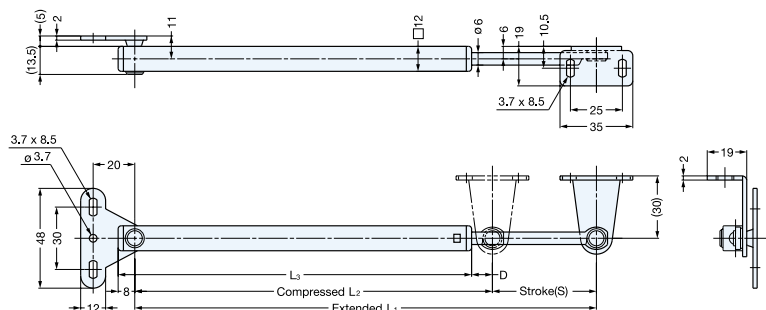


SPRING LOADED LID STAY

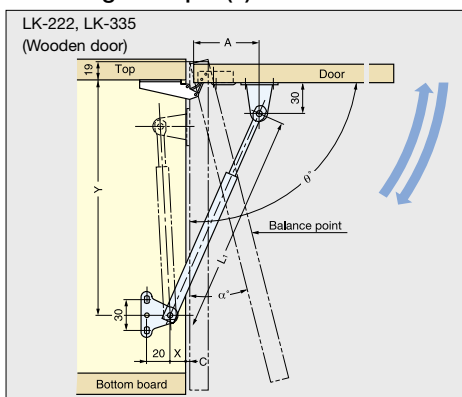


LK

- Spring mechanism assists lifting door and holds in open position.
- Non-handed

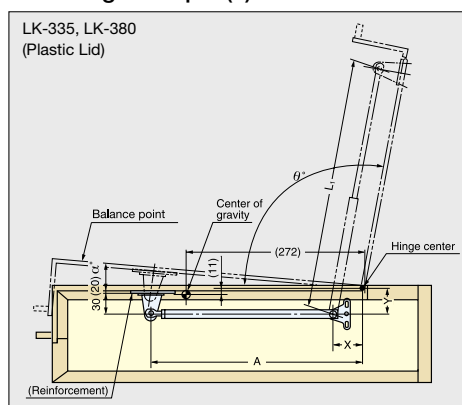


Mounting Example (1)



Drawing shown is based on C=4mm.
If C=0, please deduct 4mm from "X" in the table below.

Mounting Example (2)



Material	Finish
304 Stainless Steel	Satin

Door weight is based on door height: LK-222=350mm
LK-335=500mm

Item No.	Max. Door Weight (kg)	Door Opening (θ°)	- (α°)	L ₁	A	X	Y
LK-222 (2 pcs)	2.5 (5.5 lbs)	90	17	222 (8-47/64")	70 (2-3/4")	20 (25/32")	235 (9-1/4")
	2.7 (5.9 lbs)	85	15	222 (8-47/64")	75 (2-61/64")	20 (25/32")	240 (9-29/64")
	3 (6.6 lbs)	75	14	222 (8-47/64")	85 (3-11/32")	20 (25/32")	251 (9-7/8")
LK-335 (2 pcs)	3.1 (6.8 lbs)	90	14	335 (13-3/16")	104 (4-3/32")	20 (25/32")	344 (13-35/64")
	3.3 (7.2 lbs)	85	12	335 (13-3/16")	112 (4-13/32")	20 (25/32")	351 (13-13/16")
	3.8 (8.3 lbs)	75	11	335 (13-3/16")	127 (5-1/8")	20 (25/32")	368 (14-31/64")

Item No.	Max. Door weight (kg)	Door Opening (θ°)	- (α°)	L ₁	A	X	Y
LK-335 (2 pcs)	2.5 (5.5 lbs)	90	0.5	335 (13-3/16")	295 (11-39/64")	45 (1-25/32")	38 (1-1/2")
	3 (6.6 lbs)	90	14	335 (13-3/16")	295 (11-39/64")	45 (1-25/32")	38 (1-1/2")
	3.3 (7.2 lbs)	85	12	335 (13-3/16")	295 (11-39/64")	45 (1-25/32")	44 (1-47/64")
LK-380 (2 pcs)	2.5 (5.5 lbs)	110	8	380 (14-31/32")	330 (13")	40 (1-37/64")	36 (1-27/64")
	3 (6.6 lbs)	90	3.5	380 (14-31/32")	335 (13-3/16")	55 (2-5/32")	44 (1-47/64")
	4 (8.8 lbs)	90	4	380 (14-31/32")	320 (12-19/32")	41 (1-39/64")	59 (2-21/64")
	4.3 (9.4 lbs)	80	7.5	380 (14-31/32")	335 (13-3/16")	56 (2-13/64")	60 (2-23/64")

Item No.	L ₁	L ₂	L ₃	S	D	Extended Force (kg)	Compressed Force (kg)	Weight (g)	Box (pcs)	Carton (pcs)
LK-222	222 (8-47/64")	172 (6-25/32")	170 (6-11/16")	50 (1-11/32")	10 (25/64")	3.2	7.0	145	25	150
LK-335	335 (13-3/16")	250 (9-27/32")	238 (9-3/8")	85 (3-11/32")	20 (25/32")	3.8	8.5	185		
LK-380	380 (14-31/32")	280 (11-1/32")	269 (10-19/32")	100 (3-15/16")	19 (3/4")	3.6	8.5	205		