

LAMP® SOFT DOWN STAY NSDX-10/10E L/R INSTALLATION INSTRUCTION PAT.P

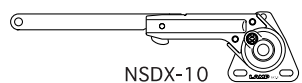
This product has dampering function, and is designed for a relatively light weight cabinet or furniture door. We will not be liable for any injuries or damage due to incorrect installation or use on a door that is not within limited usage.

CAUTIONS

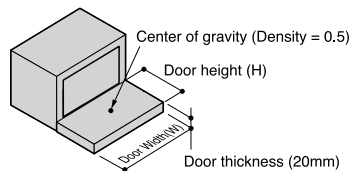
- ❶ Be sure to install at proper mounting position. Wrong installation may not only disable proper operation, but also damage product or hinge.
- ❷ This product is designed to operate at room temperatures between 0°C to 40°C (32F-104F).
- ❸ This product has a spring at the elbow section. Please be careful not to get your fingers caught in elbow section while you are handling the unit.
- ❹ Do not force the door to close faster. It can cause damage to the product or hinge(s).

Model (For standard screw)

Code No.	Position	Suitable screw on stay	Suitable screw on mounting plate
NSDX-10L	Left	φ3.5 × 3	φ3.5 × 3
NSDX-10R	Right	φ3.5 × 3	φ3.5 × 3

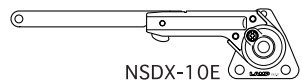


NSDX-10



Model (For Euro screw)

Code No.	Position	Suitable screw on stay	Suitable screw on mounting plate
NSDX-10EL	Left	φ6.2 × 2	φ3.5 × 3
NSDX-10ER	Right	φ6.2 × 2	φ3.5 × 3



NSDX-10E

*φ6.2 Euro Screw to be applied

APPLICABLE DOOR WEIGHT AND SIZE

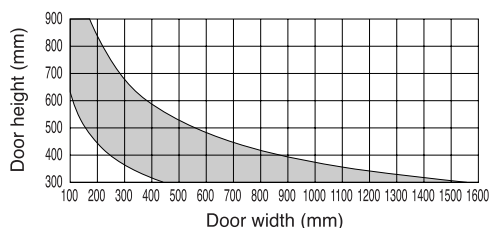
This product must be applied to a door with specific weight and size. Lined Section on the right of the graph indicates applicable door weight range based on 1 unit per door.

Note-1: In case of 2 units (right & left) per door are used

Door Width (W) can be twice as large, if the door height remains unchanged

Note-2: In case of different door thickness or specific gravity, door weight must fit with following formula.

*1 unit per door:	MIN.~MAX.	*2 units (right & left) per door:	MIN.~ MAX.
1/2 door height (cm) × door weight (kg) : 20 ~ 70 kg · cm		1/2 door height (cm) x door weight (kg) : 40 ~ 140 kg · cm	
(1/2 door height (inch) × door weight(lb) : 17 ~ 60 lb · inch)		(1/2 door height (inch) x door weight : 35 ~ 120 lb · inch)	



*In case of usual wooden flap of 20 mm thickness (specific gravity approx. 0.5)

Above drawing shows for NSDX-10L (left hand side mounting) and NSDX-10R (Right hand side mounting) symmetrically. Same mounting position is to be applied to the model of 10 EURO (type with EURO screw). Make a preparatory hole, Before drilling a φ6.2 EURO screw.

NSDX-10 INSTALLATION PROCEDURE

1. Mount the body and arm fixing plate on sideboard and back of door with tapping screws (φ3.5) to oval holes temporarily.
2. Align notch on mounting plate and hole on arm by rotating the stays to fix them.
3. Check the function and adjust mounting plate on oval holes. Then fix them with the tapping screws in the round holes of the stay and mounting plate.

NSDX-10E INSTALLATION PROCEDURE

1. Mount the stay on sideboard by applying EURO screw (φ6.2) to the larger round holes on the body.
 2. Mount the arm fixing plate on back of door with tapping screws (φ3.5) to the oval holes temporarily.
 3. Align notch on mounting plate and hole on arm by rotating the body to fix them.
 4. Check the function and adjust mounting plate on oval holes. Then fix them with the tapping screws in the round holes of the body and mounting plate.
- *If the side board is not enough strength to support the stay, smaller round hole of the body must fix with tapping screw(φ3.5).

Mounting plates are available both in standard and clip type. When using a standard mounting plate type, be sure to fix it securely with supplied truss screw after installing the stay. When using a clip mounting plate type, be sure to insert arm completely.

CAUTIONS

In using a clip mounting plate type, be careful not to hit the arm or apply excessive force, as it may cause the arm to fall off and cause unexpected injury.

SPEED ADJUSTMENT

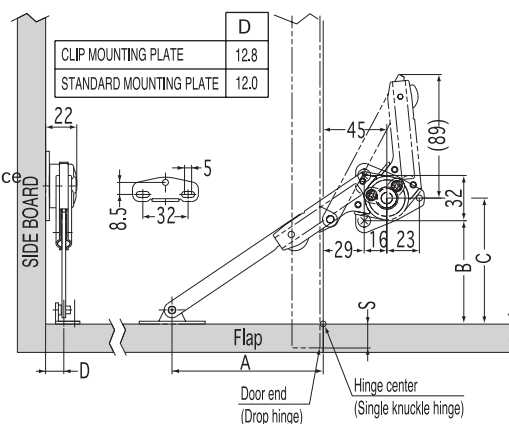
Upon completion of installation, make sure the door opens and closes properly. To adjust the opening/closing speed of door, turn speed adjustment screw. In case 2 units (right & left) are used on a single door, the speed adjustment screws on both sides must be turned evenly.

CAUTIONS

- ❶ Do not turn the speed adjustment screw exceeding the limit.
- ❷ For speed adjustment, use a Phillips (plus) screwdriver with φ5 or less.

Hinge Type	MEASURE- MENT		
	A	B	C
Drop Hinge	97	106-S	122-S
Single knuckle hinge	90	99	115

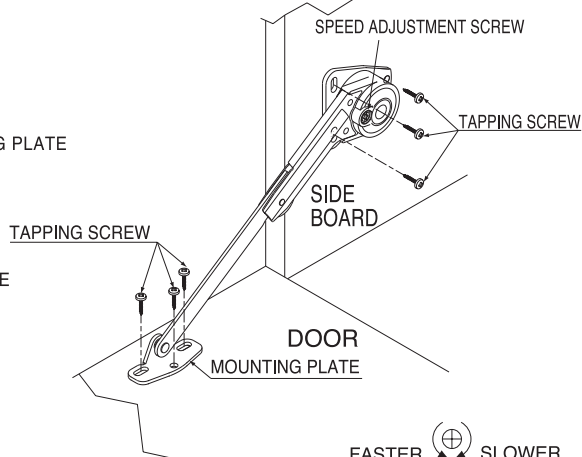
Note: "S" dimension is the overlay distance for drop hinge (s).



STANDARD MOUNTING PLATE



CLIP MOUNTING PLATE



FASTER ⚙ SLOWER

Japan Head Office

SUGATSUNE KOGYO CO.LTD
1-8-11, Higashikanda, Chiyodaku, Tokyo 101 JAPAN
Phone:813-3866-2260 Fax:813-3866-4447
E-mail : export @ sugatsune.co.jp



Copyright SUGATSUNE

U.S.Subsidiary:

SUGATSUNE AMERICA INC.
221 East Selandia Lane, Carson,CA 90745 U.S.A
Phone: 310-329-6373 Fax: 310-329-0819
Toll Free: 1-800-562-LAMP