

LAMP® SOFT DOWN STAY NSDX-20 L/R INSTALLATION INSTRUCTION PAT.P

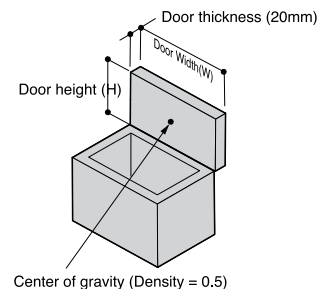
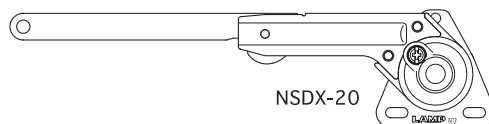
This product has dampering function, and is designed for a relatively light weight cabinet or furniture door. We will not be liable for any injuries or damage due to incorrect installation or use on a door that is not within limited usage.

CAUTIONS

- ❗ Be sure to install at proper mounting position. Wrong installation may not only disable proper operation, but also damage product or hinge.
- ❗ This product is designed to operate at room temperatures between 0°C to 40°C (32F-104F).
- ❗ This product has a spring at the elbow section. Please be careful not to get your fingers caught in elbow section while you are handling the unit.
- ⊘ Do not force the door to close faster. It can cause damage to the product or hinge(s).

Model (For standard screw)

Code No.	Position	Suitable screw on stay	Suitable screw on mounting plate
NSDX-20L	Left	φ3.5 × 3	φ3.5 × 3
NSDX-20R	Right	φ3.5 × 3	φ3.5 × 3



APPLICABLE DOOR WEIGHT AND SIZE

This product must be applied to a door with specific weight and size. Lined Section on the right of the graph indicates applicable door weight range based on 1 unit per door.

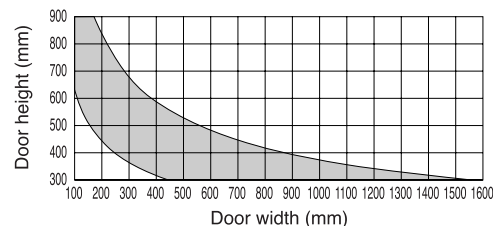
Note-1: In case of 2 units (right & left) per door are used

Door Width (W) can be twice as large, if the door height remains unchanged

Note-2: In case of different door thickness or specific gravity, door weight must fit with following formula.

*1 unit per door: MIN.~MAX.
 1/2 door height (cm) × door weight (kg) : 20 ~ 70 kg · cm
 (1/2 door height (inch) × door weight (lb) : 17 ~ 60 lb · inch)

*2 units (right & left) per door: MIN.~ MAX.
 1/2 door height (cm) × door weight (kg) : 40 ~ 140 kg · cm
 (1/2 door height (inch) × door weight : 35 ~ 120 lb · inch)



*In case of usual wooden flap of 20 mm thickness (specific gravity approx. 0.5)

Above drawing shows for NSDX-20L (left hand side mounting) and NSDX-20R (Right hand side mounting) symmetrically.

NSDX-20 INSTALLATION PROCEDURE

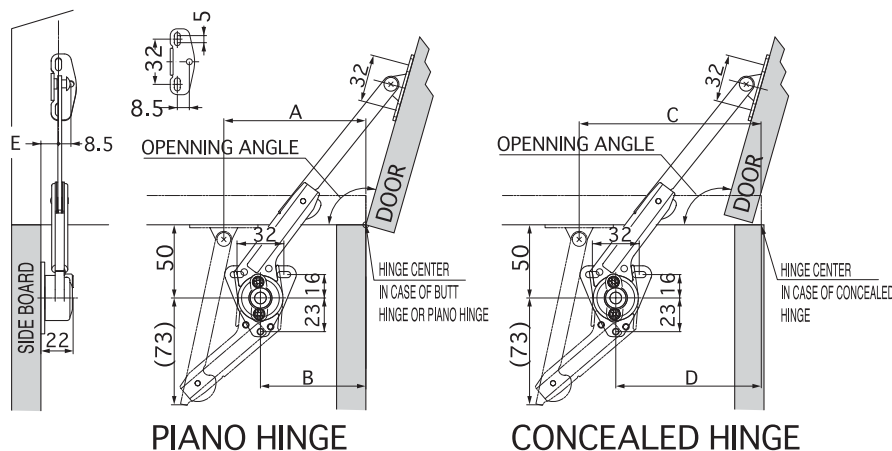
- Mount the body and arm fixing plate on sideboard and back of door with tapping screws (φ3.5) to oval holes temporarily.
- Align notch on mounting plate and hole on arm by rotating the stays to fix them.
- Check the function and adjust mounting plate on oval holes. Then fix them with the tapping screws in the round holes of the stay and mounting plate.



STANDARD MOUNTING PLATE



CLIP MOUNTING PLATE



MEASURE- MENT	A	B	C	D
70°	125	100	126	101
105°	97	72	103	78

	E
CLIP MOUNTING PLATE	12.8
STANDARD MOUNTING PLATE	12.0

Mounting plates are available both in standard and clip type. When using a standard mounting plate type, be sure to fix it securely with supplied truss screw after installing the stay. When using a clip mounting plate type, be sure to insert arm completely.

CAUTIONS

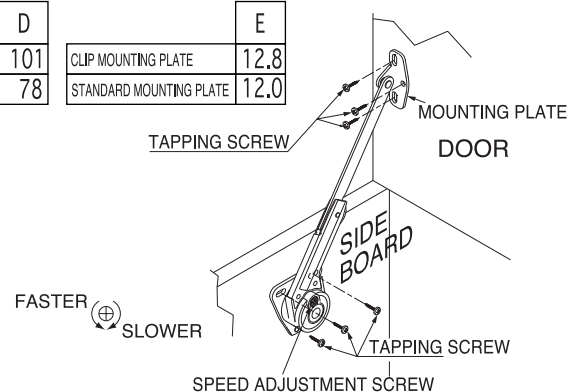
In using a clip mounting plate type, be careful not to hit the arm or apply excessive force, as it may cause the arm to fall off and cause unexpected injury.

SPEED ADJUSTMENT

Upon completion of installation, make sure the door opens and closes properly. To adjust the opening/closing speed of door, turn speed adjustment screw. In case 2 units (right & left) are used on a single door, the speed adjustment screws on both sides must be turned evenly.

CAUTIONS

- ❗ Do not turn the speed adjustment screw exceeding the limit.
- ❗ For speed adjustment, use a Philips (plus) screwdriver with φ5 or less.



Japan Head Office

SUGATSUNE KOGYO CO.LTD

1-8-11, Higashikanda, Chiyodaku, Tokyo 101 JAPAN

Phone:813-3866-2260 Fax:813-3866-4447

E-mail : export @sugatsune.co.jp

SUGATSUNE

Copyright SUGATSUNE

U.S.Subsidiary:

SUGATSUNE AMERICA INC.

221 East Selandia Lane, Carson,CA 90745 U.S.A

Phone: 310-329-6373 Fax: 310-329-0819

Toll Free: 1-800-562-LAMP