

ADJUSTABLE SOFT-DOWN STAY



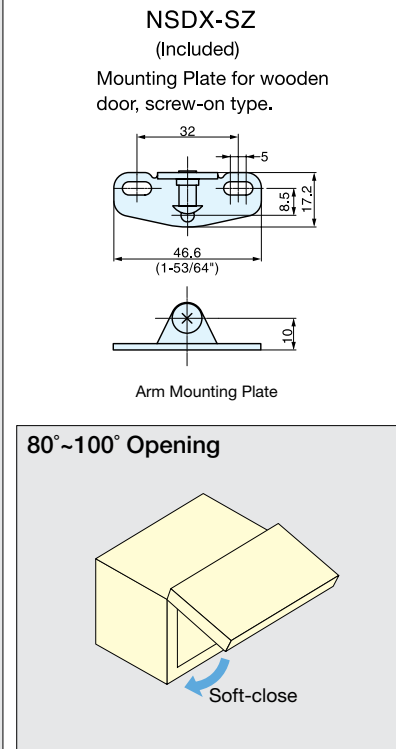
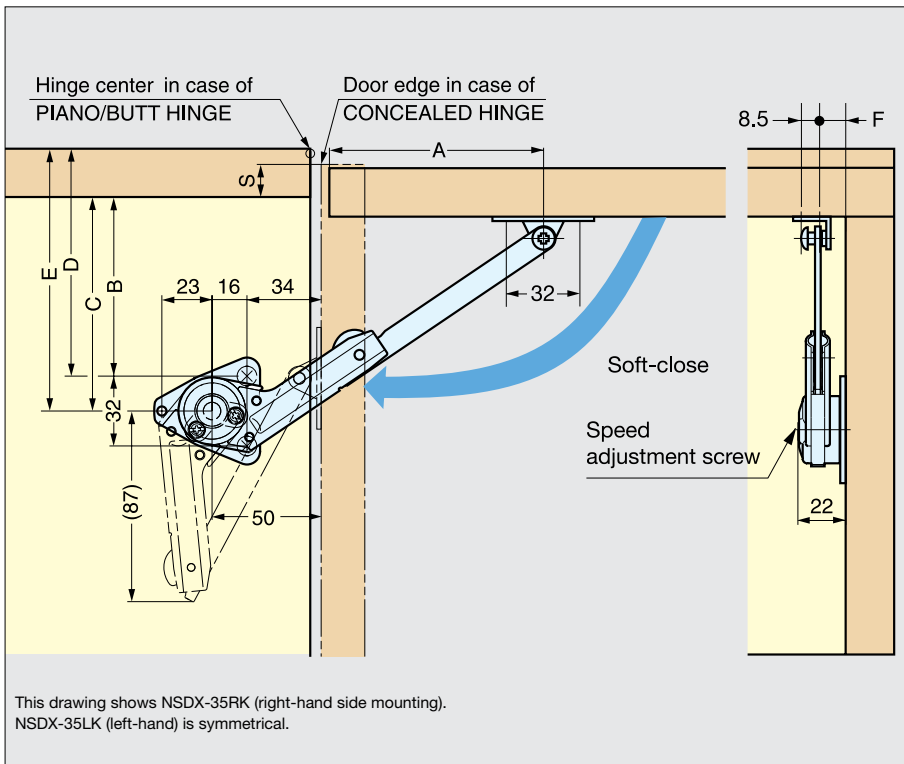
NSDX-35

LID SUPPORTS

ADJUSTABLE SOFT-DOWN STAY



- For UPWARD-OPENING FLAP DOOR with piano, butt or concealed hinges.
- Opening angle 80°, 90° or 100°.
- NSDX-35 is designed to hold door in fully opened position.
- Speed adjustment screw located on front for easy adjustment.
- Two stop version (holds door at 65° and 90°) is also available.
- Torque Calculation :
Torque = Door Height x 1/2 x Door Weight
Per Piece: 20~70 kg-cm (19~60 lbs-inch)
Per Pair: 40~140 kg-cm (38~120 lbs-inch)



Material		Finish		
Zinc Alloy		Nickel		
Steel				
Item No.	Weight (g)	Box (pcs)	Carton (pcs)	
NSDX-35RK	Right	181	20	80
NSDX-35LK	Left			

Note: "S" dimension is the overlay coverage for concealed hinge(s).

Opening Angle	Hinge Type	A	B	C	D	E	F
80°	Concealed Hinge	106	105 -S	121 -S	-	-	11
	Piano/Butt Hinge	100	-	-	99	115	
90°	Concealed Hinge	98	97 -S	113 -S	-	-	
	Piano/Butt Hinge	91.5	-	-	90.5	106.5	
100°	Concealed Hinge	92.5	91.5-S	107.5-S	-	-	
	Piano/Butt Hinge	85	-	-	84	100	