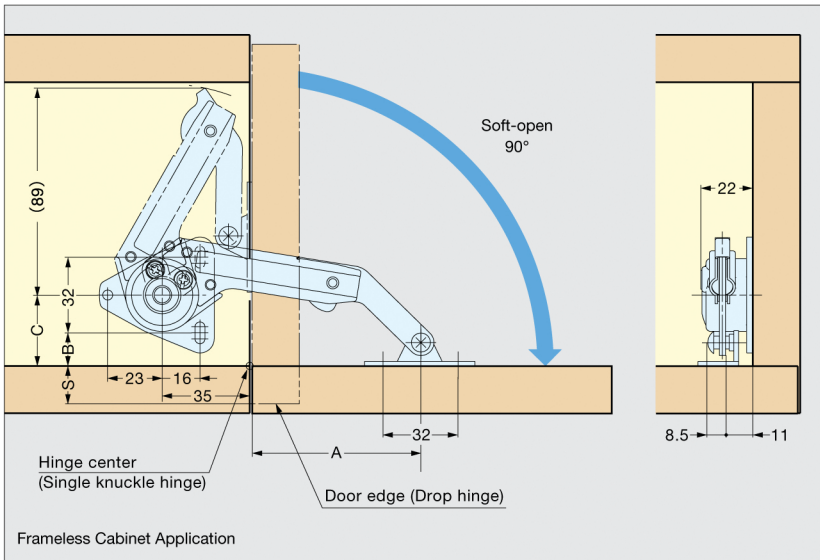
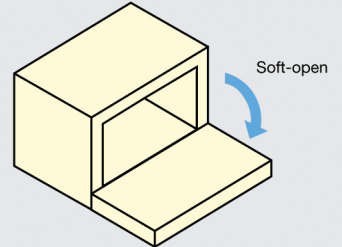




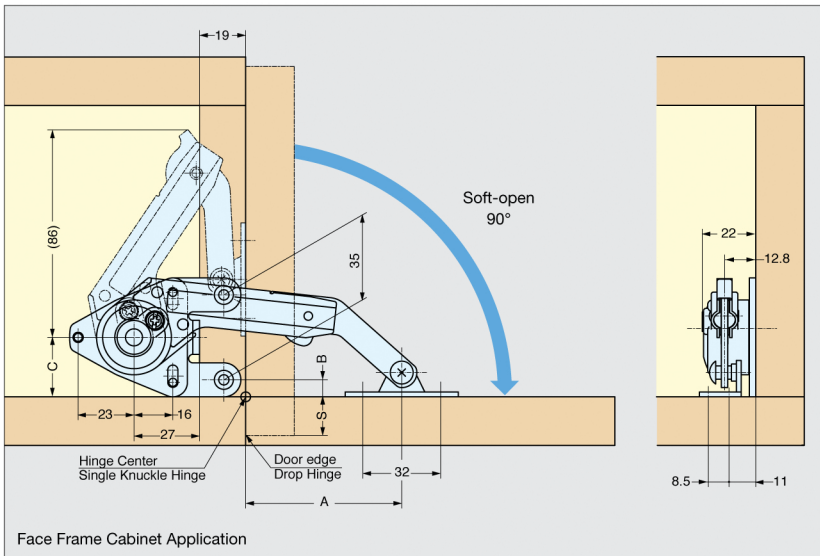
- For DOWNWARD-OPENING FLAP DOOR with piano, butt or drop hinges.
- Short arm type designed for small door application.
- Torque Calculation :
 Torque = Door Height × 1/2 × Door Weight
 Per Piece : 10~20 kgf·cm (8.7~17.4 lbs·in)
 Per Pair : 20~40 kgf·cm (17.4~34.7 lbs·in)

90° Opening



Hinge Type	A	B	C
Single Knuckle Hinge	58+S (2-9/32"+S)	14 (9/16")	30 (1-3/16")
Drop Hinge	71 (2-13/16")	27 (1-1/16")	43 (1-11/16")

"S" dimension is the overlay coverage for drop hinge(s).



Face Frame Bracket: FFCB-SD-1
(Sold separately, see P317)



Hinge Type	A	B	C
Single Knuckle Hinge	48+S (1-7/8"+S)	74 (9/32")	24.5 (31/32")
Drop Hinge (SDH-001)	32 (2-7/16")	20.5 (13/16")	38 (1-1/2")

"S" dimension is the overlay coverage for drop hinge(s).

Item No.	Material	Finish	Weight (g)	Box (pcs)	Carton (pcs)
NSDX-10RK/TV	Zinc Alloy/Steel	Nickel	143	20	80
NSDX-10LK/TV					