

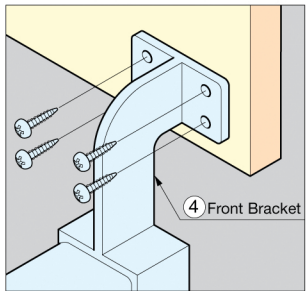
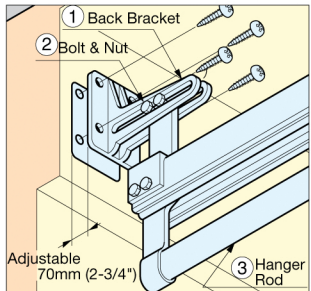
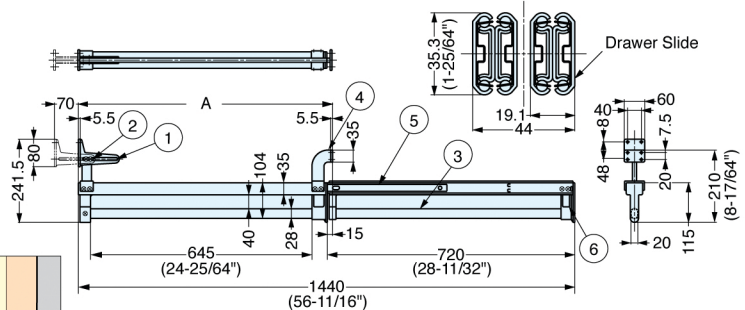
# HEAVY DUTY EXTENSION HANGER

**LOAD CAPACITY**  
41kg  
90lbs

**4.5x20**  
**STEEL**

## SH740

- Space-saving, undermount design for narrow spaces.
- Bracket that incorporates drawer slide allows smooth movement.
- Back mounting bracket can be adjusted for shorter/longer spaces. (2-3/4")
- Includes 3/4" (M4.5 × 20) long screws.



Item No.	Load Capacity (kg)	Weight (g)	Box (pcs)	Carton (pcs)
SH740	41 (90 lbs)	5400	1	2

No.	Material	Finish
①	Brass	Chrome
②	Steel	
③	Steel	
④	Brass	
⑤	Steel	
⑥	Brass	