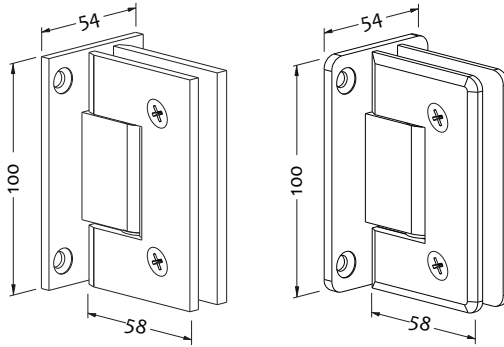
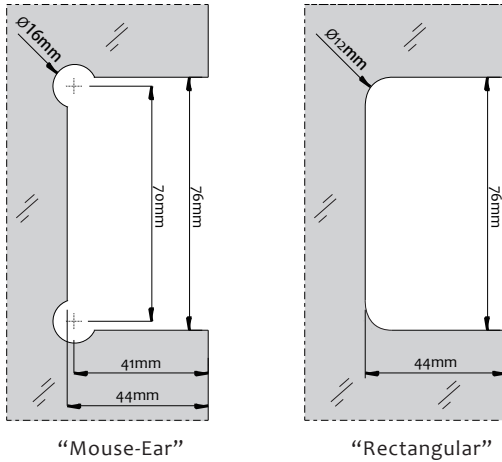


Installation Guide for Shower door Hinges (Heavy duty)



GLASS CUTTING



The hinge is designed to accommodate two types of cut-outs in the glass.

- If the two steel pins in the body of the hinge ,the “mouse ear” cut-out option should be used;
- If the two steel pins are removed , the “rectangular” cut-out option can be utilized.

HEAVY DUTY WALL MOUNT HINGE

Maximum Capacities	3/8" (10mm) Glass		1/2" (12mm) Glass	
	Weight	Width	Weight	Width
Using 2 Hinges	110 lbs. (50kg)	36" (914mm)	110 lbs. (50kg)	36" (914mm)
Using 3 Hinges	140 lbs. (64kg)	36" (914mm)	140 lbs. (64kg)	36" (914mm)

*NOTE: Do not exceed either maximum weight or width when choosing proper quantity of hinges

Installation Guide for Shower Door Hinges

SPECIFICATIONS

- Glass Sizes: 3/8"(10mm) to 1/2" (12mm) thick tempered safety glass
- Construction: Brass
- Closing Type: Self-centering when within 15° of closed position
- Cut-out required
- Includes: Gaskets, extra screws and template

Use of Gaskets

- For 3/8" (10mm) Glass: Use one thick gasket on each side
- For 1/2" (12mm) Glass: Use one thin gasket on each side

Recommendations

- For public safety, we recommend the use of only tempered safety glass.
- Do not use power tools when installing these hinges.

Maintenance Guidelines

• Our hinges are greased at the factory for quiet and trouble-free operation. If there is any squeaking that occurs after installation, put a drop of "3-in-1 Oil" (also known as "household oil") on the white nylon washer that the hinge body pivots on. This washer is the component that acts as a buffer, so the body of the hinge doesn't pivot directly on the brass center block. This solution doesn't require the disassembly of the hinge.

• Note: Do not use spray lubricant on these hinges. If the hinge has been disassembled, upon reassembly, use white lithium grease to lubricate the interior mechanism.

• Never use an abrasive cleaner on the hardware. Many of the components are coated with a clear lacquer that will be irreparably damaged if subjected to harsh, abrasive chemicals. Advise your customer that drying the hardware with a clean, soft towel on a daily basis is the best way to maintain the hardware. If mineral deposits build-up, mix a couple of drops of a mild liquid soap (such as Ivory or a similar product) into a cup of warm water. Using a soft, non-abrasive cloth, clean the hardware. Rinse thoroughly with clean, warm water and dry.