

Installation Instructions

Non-fire Rated SVR Device

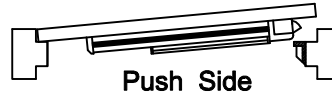


※ The screws (from item B to F), attach both machine & tapping screws for install selection in the accessory package.

Determine handing of door

Right - Hand Reverse Bevel (RHR)

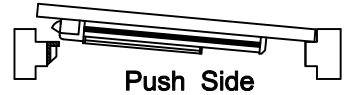
Outside



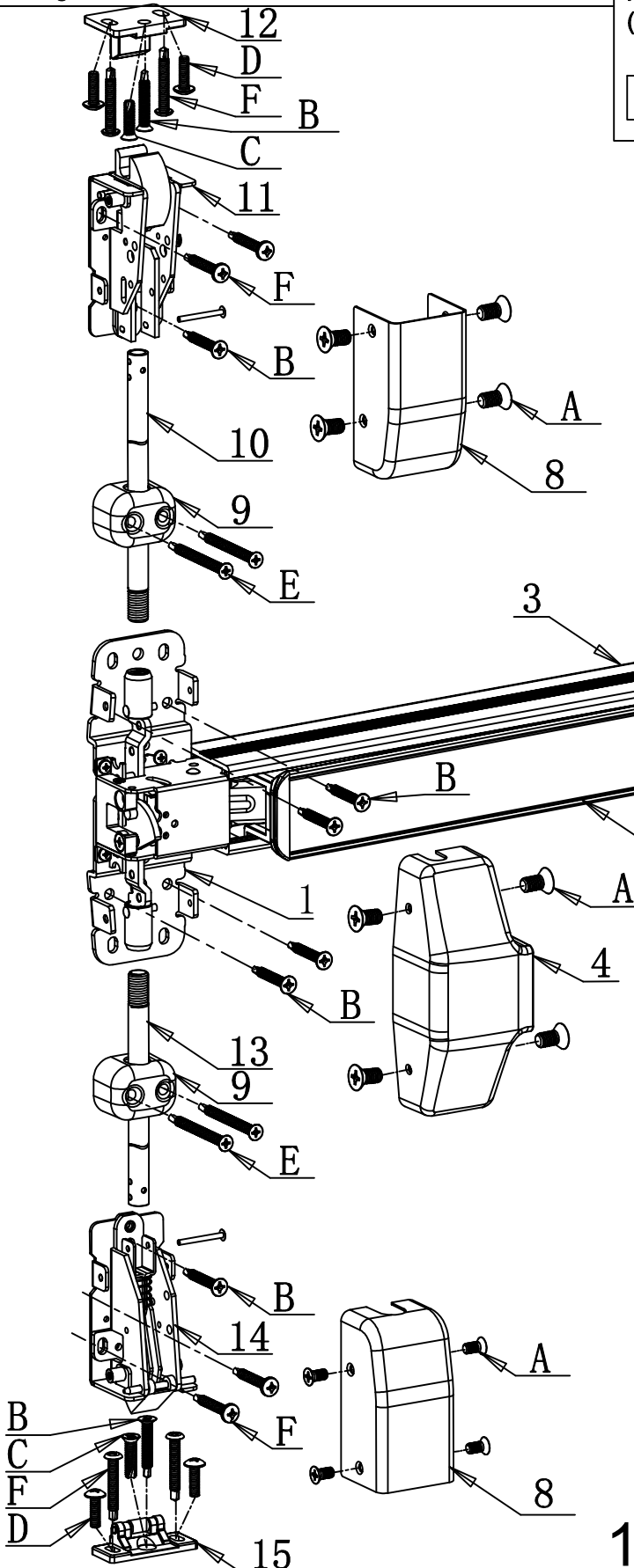
Push Side

Left- Hand Reverse Bevel (LHR)

Outside



Push Side



PARTS LIST		
ITEM	DESCRIPTION	QTY
1	CHASSIS ASSY	1
2	PUSH BAR	1
3	MOUNTING RAIL	1
4	HEAD COVER	1
5	SLIDING COVER	1
5-1	ALLEN WRENCH	1
6	BRACKET	1
7	END CAP	1
8	LATCH COVER	2
9	ROD GUIDE	2
10	TOP ROD 37-7/16" (91mm)	1
11	TOP LATCH	1
12	TOP STRIKE	1
13	BOTTOM ROD 35-43/64" (906mm)	1
14	BOTTOM LATCH	1
15	BOTTOM STRIKE	1
A	SM4*8 FLAT HEAD SCREWS	14
B	10#*1-1/4" FLAT HEAD TEK SCREWS	10
C	10#*3/4" FLAT HEAD SCREWS	2
D	10#*5/8" ROUND HEAD SCREWS	4
E	10#*2" FLAT HEAD TEK SCREWS	4
F	10#*1-1/4" ROUND HEAD SCREWS	8

Installation Instructions

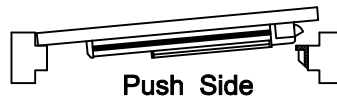
Fire Rated SVR Device

※ The screws (from item B to G), attach both machine & tapping screws for install selection in the accessory package.

Determine handing of door

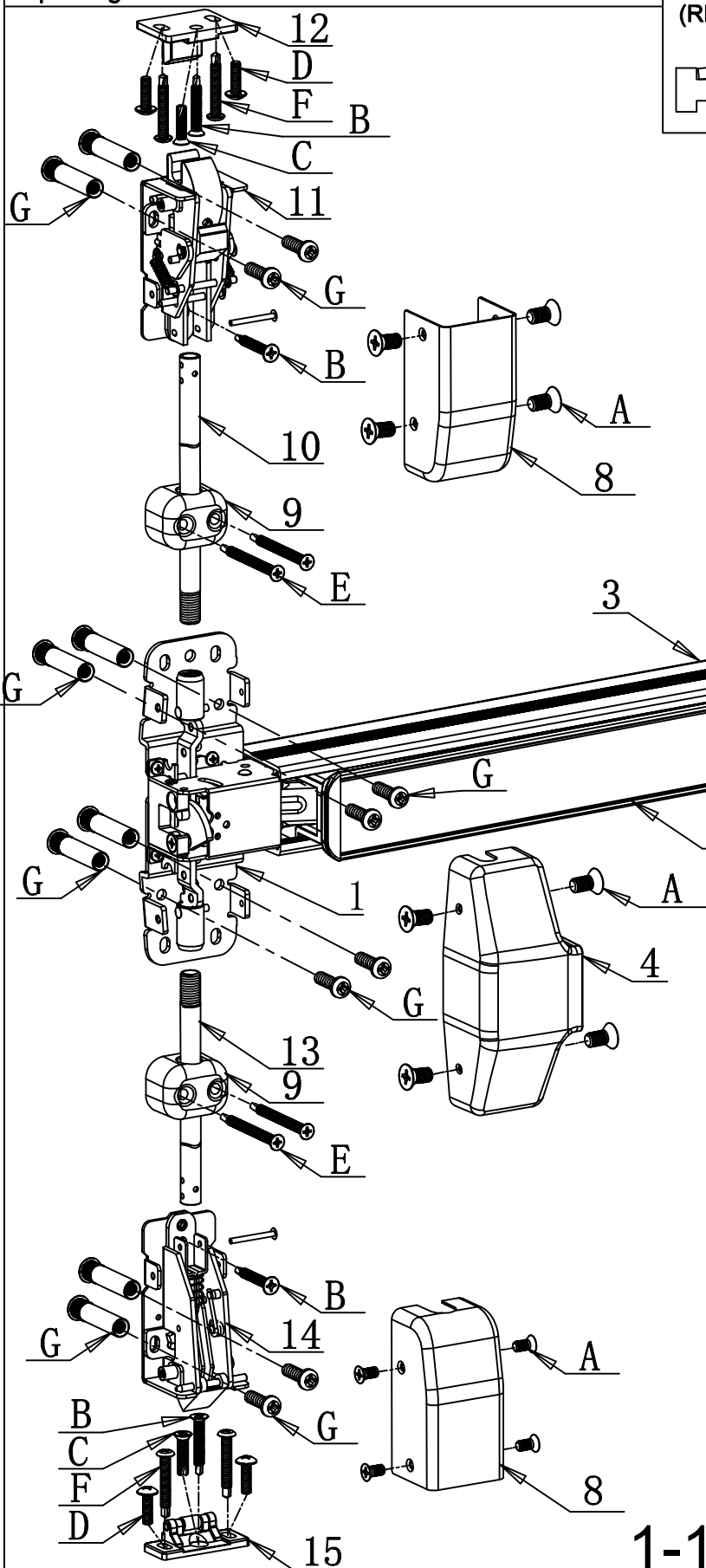
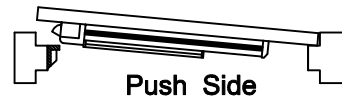
Right - Hand Reverse Bevel (RHR)

Outside



Left- Hand Reverse Bevel (LHR)

Outside



PARTS LIST

ITEM	DESCRIPTION	QTY
1	CHASSIS ASSY	1
2	PUSH BAR	1
3	MOUNTING RAIL	1
4	HEAD COVER	1
5	SLIDING COVER	1
6	BRACKET	1
7	END CAP	1
8	LATCH COVER	2
9	ROD GUIDE	2
10	TOP ROD 37-7/16" (91mm)	1
11	TOP LATCH	1
12	TOP STRIKE	1
13	BOTTOM ROD 35-43/64" (906mm)	1
14	BOTTOM LATCH	1
15	BOTTOM STRIKE	1
A	SM4*8 FLAT HEAD SCREWS	14
B	10#*1-1/4" FLAT HEAD TEK SCREWS	4
C	10#*3/4" FLAT HEAD SCREWS	2
D	10#*5/8" ROUND HEAD SCREWS	4
E	10#*2" FLAT HEAD TEK SCREWS	4
F	10#*1-1/4" ROUND HEAD TEK SCREWS	4
G	SEX BOLT	10

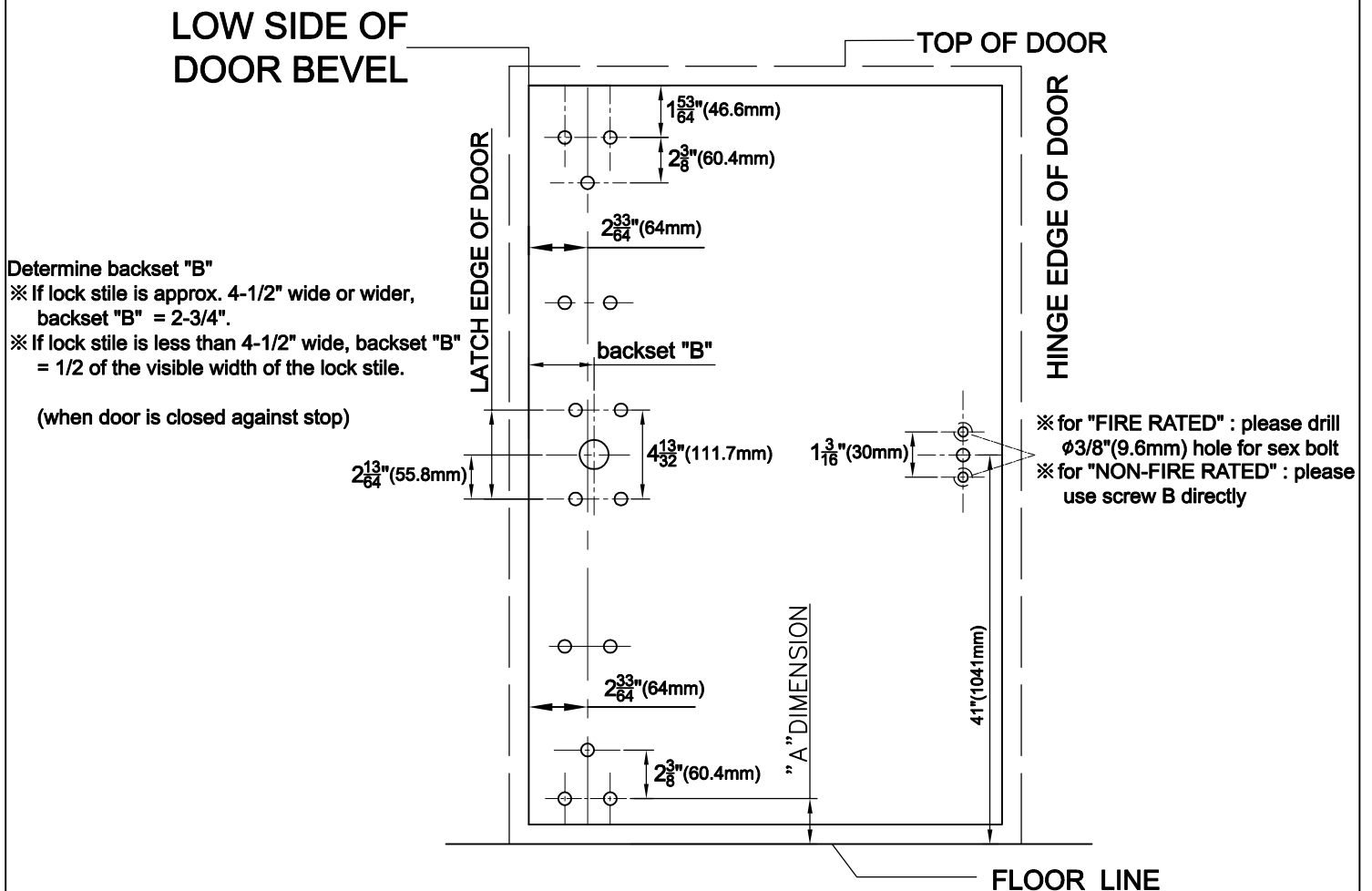
Surface Vertical Rod Devices

STEP 1 MARK CENTER LINES

Mark Center Lines on INSIDE of door .Establish the horizontal center line of the device by drawing a line across the door 41" (1041mm) above floor line . Establish the top and bottom rod backset center line by drawing a vertical line from the top to bottom of the door measuring from the LOW SIDE of the DOOR BEVEL. After marking & drilling, please install pushbar according to its marked location. With establishment of pushbar, then go for next step of other installations.

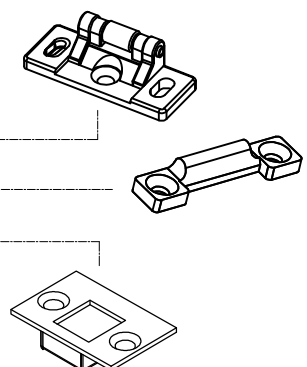
Regularly furnished unless ordered separately.

INSIDE OF LHR DOOR IS ILLUSTRATED



Regularly furnished unless ordered separately.

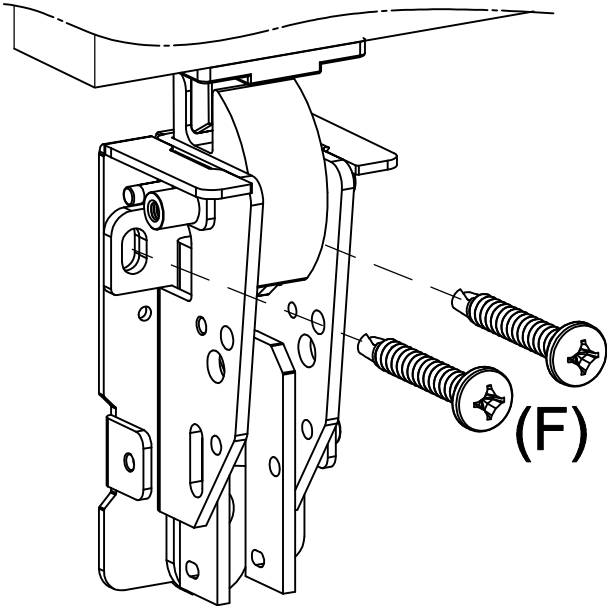
"A" DIMENSION	INSTALLATION
1-47/64" (44mm)	For Surface Strike
1-9/16" (39.5mm)	For Handicap Strike
1-5/32" (29.5mm)	For Mortise in Strike



Surface Vertical Rod Devices

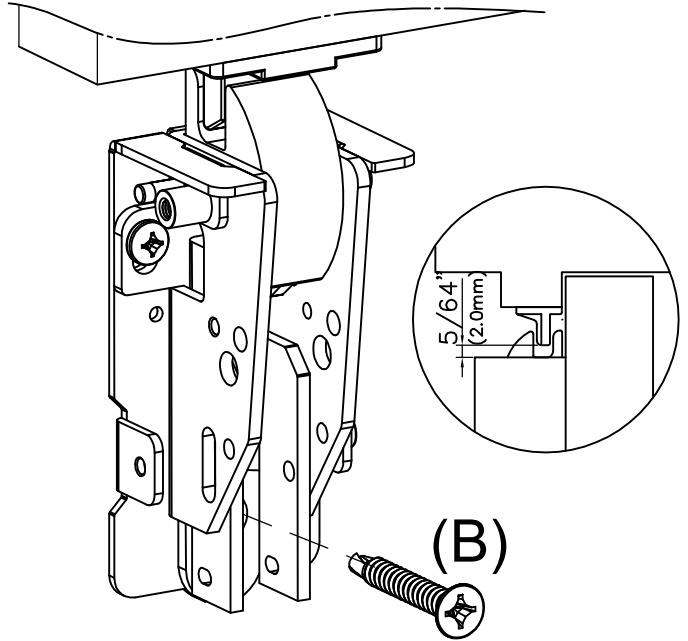
STEP 3 INSTALL TOP LATCH

Follow TEMPLATE to install top latch with two screws (F).
 (Do not tighten the screws (F) firmly)



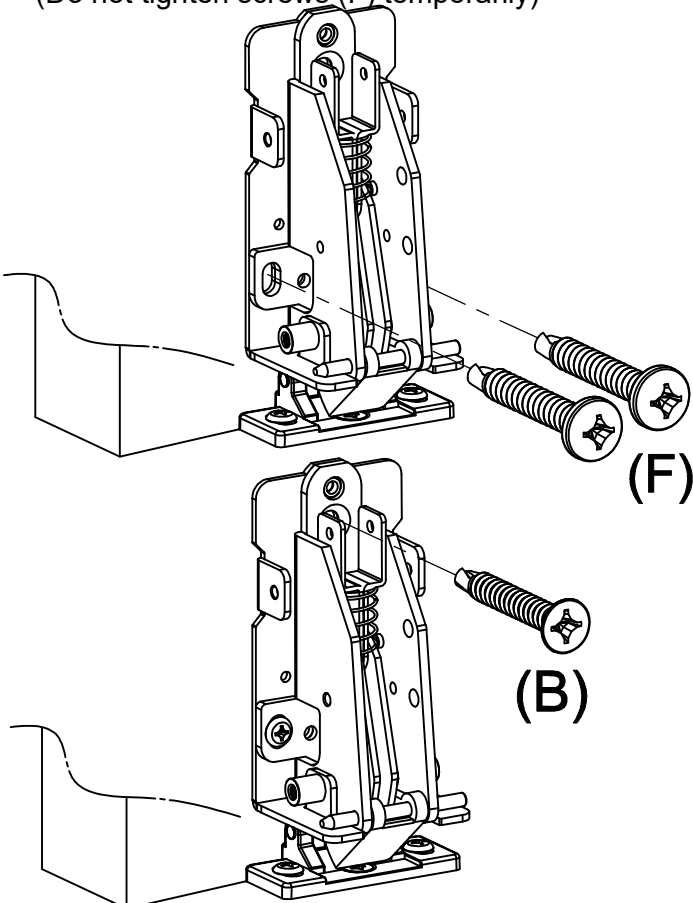
STEP 4 INSTALL TOP STRIKE

Follow TEMPLATE to install top strike.
 Adjust the proper gap between top latch and strike which is about 5/64" (2.0mm), tighten screws (F) firmly and then screw (B).



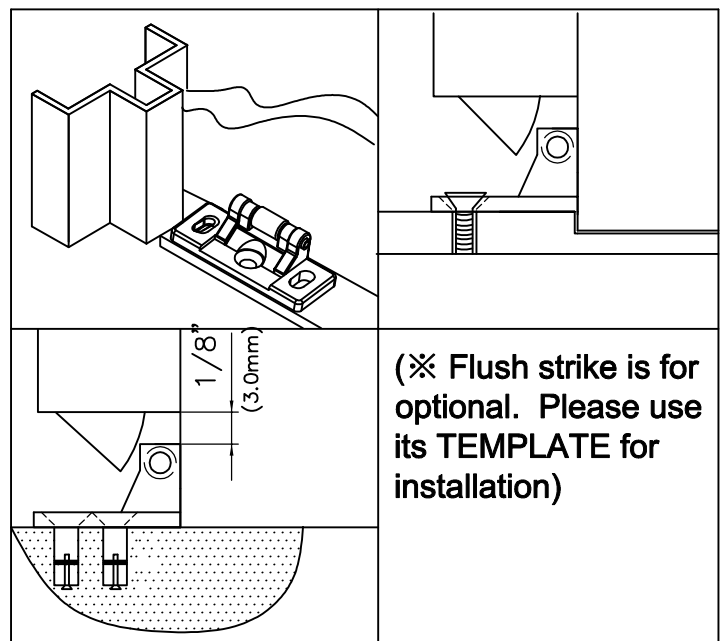
STEP 5 INSTALL BOTTOM LATCH

Follow TEMPLATE to install bottom latch with two screws (F).
 (Do not tighten screws (F) temporarily)



STEP 6 INSTALL BOTTOM STRIKE

Follow TEMPLATE to install bottom strike.
 Adjust the proper gap between bottom latch and strike which is about 1/8" (3.0mm), tighten screws (F) firmly and then screw (B).



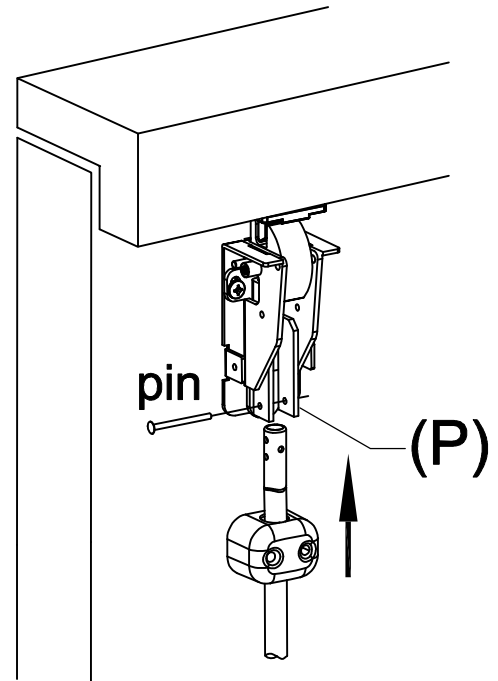
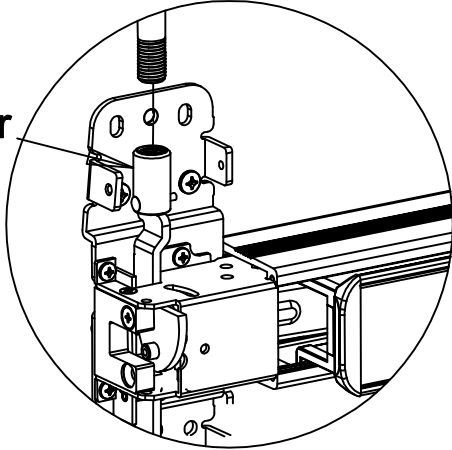
Surface Vertical Rod Devices

STEP 7 INSTALL & ADJUST TOP ROD

The rod length can be adjusted by the thread of the rod, adjust the correct length when door is in the closed position, by aiming the rod to the hole of the part (P).

※ If top rod had been cut to fit door height, please drill hole for pin loading.

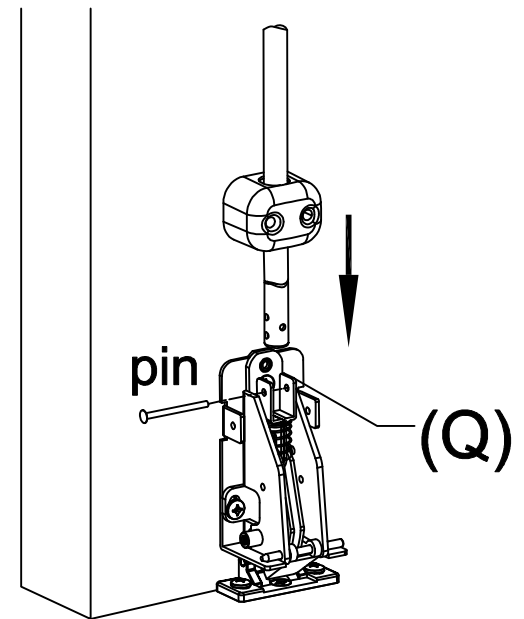
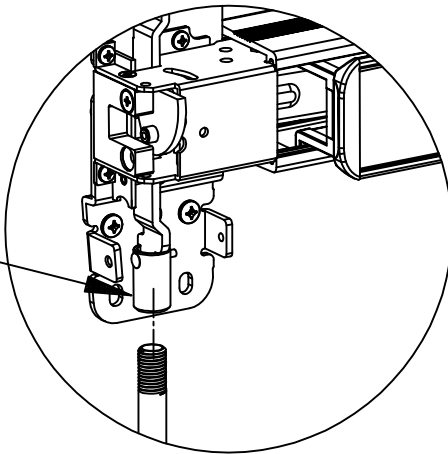
rod connector



STEP 8 INSTALL & ADJUST BOTTOM ROD

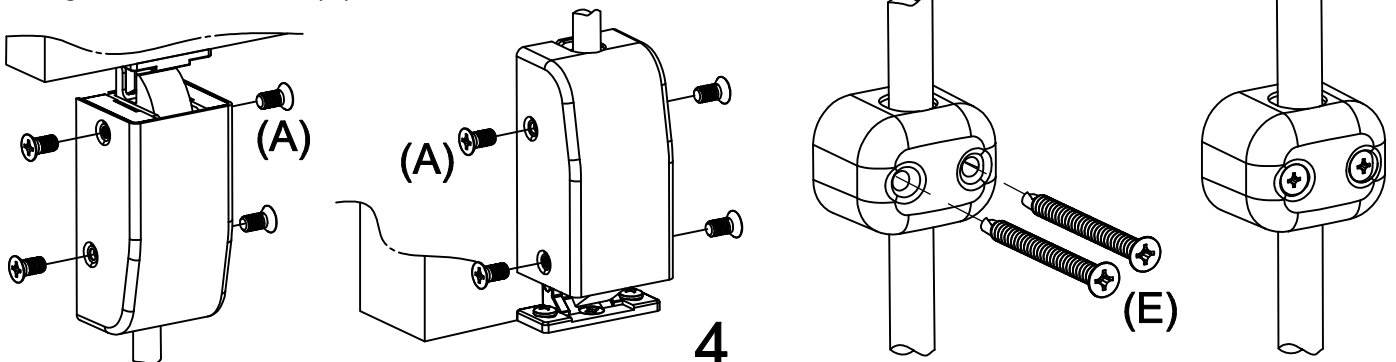
The rod length can be adjusted by the thread of the rod, adjust the correct length when door is in the closed position, by aiming the rod to the hole of the part (Q).

rod connector



STEP 9 INSTALL LATCH COVERS & ROD GUIDE

- (1). Install latch covers and fix/tighten them with screws (A).
- (2). Position rod guide midway between head cover and latch. Then, fix & tighten rod guide with screws (E).



Surface Vertical Rod Devices

STEP 10 TEST PUSH RAIL & THE DOGGING FUNCTION

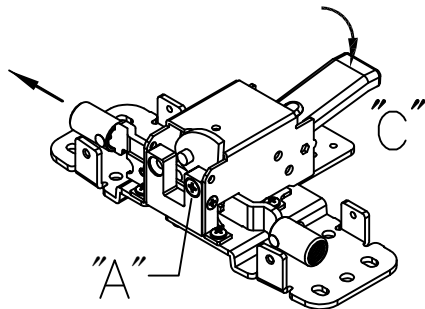
1. The latches should engage the strikes when the door is closed. If the door can be pushed open without depressing the push rail, please check the rod length and installation (see step 3)
2. The latches should disengage from the strikes freely when the push rail is depressed or dogged down. If not, please check the rod length/installation again (see step 3)
3. When applying outside trims:
 - (1). No trims: Exit only, latch bolts are retracted just by the push rail inside.
 - (2). Entry: latch bolts are retracted by trim outside after the trim is unlocked.
 - (3). Storeroom: latch bolts are retracted by trim outside with key only.
 - (4). Passage: latch bolts are retracted by trim always open.
4. Dogging: Use allen wrench and turn clockwise 90° when depressing push rail. Latch bolts will remain retracted.

STEP 11 CHANGE HANDING OF DEVICE

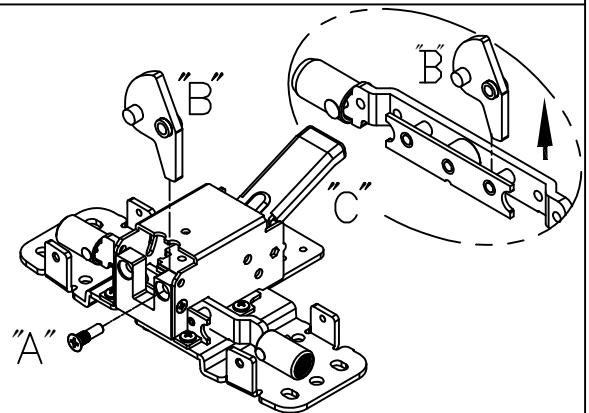
TO CHANGE HANDING OF DEVICE

(FOR EXAMPLE: FROM LHR to RHR)

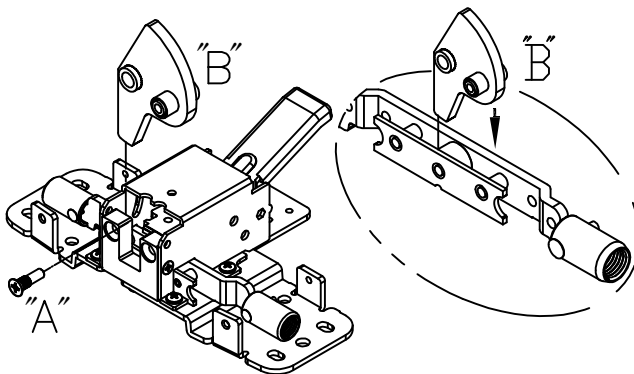
(LHR)



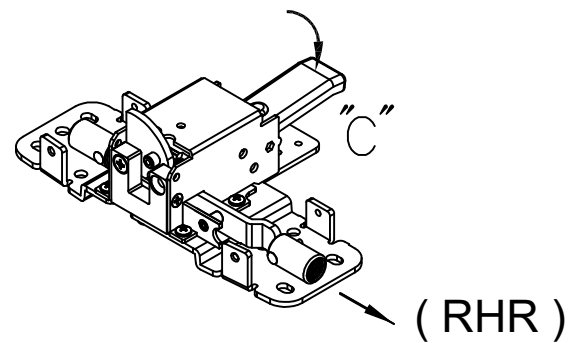
PRESS LIFT ARM "C" AND ENSURE THE DIRECTION.
The screw "A" is at the below hole position as figure shown



UNSCREW "A" AND TAKE OFF "B".



TURN "B" 180° AND PUT IT BACK AS FIGURE SHOWN
THEN, FASTEN "A" AT ABOVE SCREW HOLE.



OPERATE LIFT ARM "C" TO ENSURE THE
PROCESSING DIRECTION IS REVERSED.