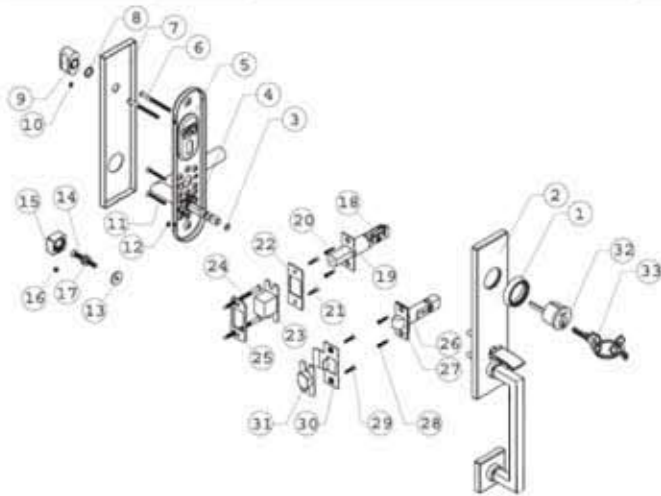
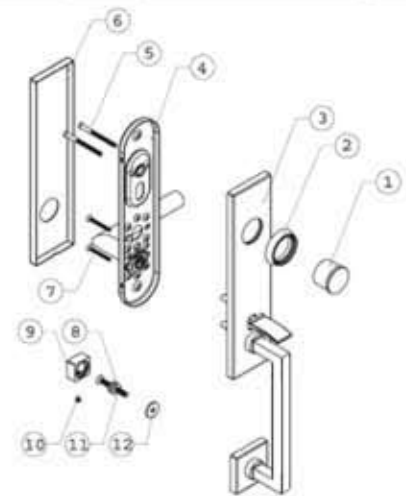


Explosive Diagram (Manhattan Tubular Entrance)



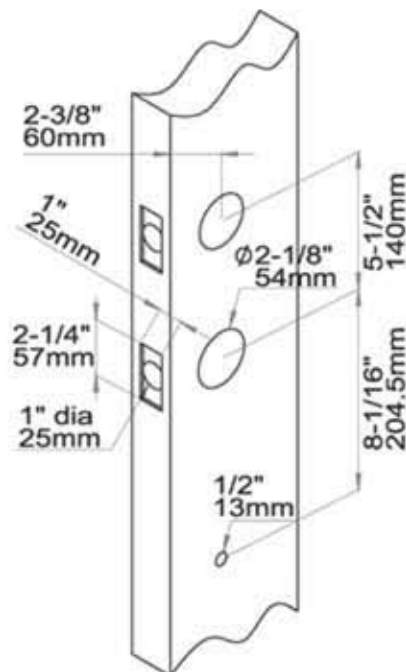
- | | |
|-------------------------------|---|
| 1. Cylinder Escutcheon | 18. Deadbolt |
| 2. Outside Plate | 19. Deadbolt Faceplate |
| 3. Rubber Ring | 20. Deadbolt Faceplate Screws |
| 4. Tubular Spindle 8mm Square | 21. Deadbolt Strike Screw |
| 5. Inside Sub-plate | 22. Deadbolt Strike |
| 6. Thru-bolt for Cylinder | 23. Deadbolt Dust Box |
| 7. Inside Cover Plate | 24. Deadbolt Reinforcement Plate Screws |
| 8. Thumb-turn Washer | 25. Deadbolt Reinforcement |
| 9. Thumb-turn | 26. Tubular Latch |
| 10. Thumb-turn Set Screw | 27. Tubular Latch Faceplate |
| 11. Thru-bolt for Sub-plate | 28. Tubular Latch Faceplate Screws |
| 12. Set Screw for Lever | 29. Tubular Latch Strike Screw |
| 13. Thru-bolt Washer | 30. Tubular Latch Strike |
| 14. Handgrip Thru-bolt | 31. Tubular Latch Dust Box |
| 15. Thru-bolt Cap | 32. Rim Cylinder |
| 16. Thru-bolt Cap Set Screw | 33. Keys |
| 17. Thru-bolt Adaptor | |

Explosive Diagram (Manhattan Entry Dummy)



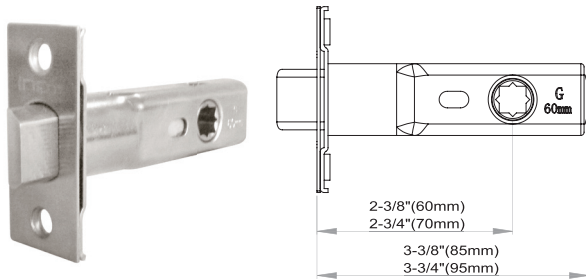
- | |
|---------------------------------|
| 1. Rim Dummy Cylinder |
| 2. Cylinder Escutcheon |
| 3. Outside Plate |
| 4. Inside Sub-plate |
| 5. Thru-bolt for Dummy Cylinder |
| 6. Inside Cover Plate |
| 7. Thru-bolt for Sub-plate |
| 8. Thru-bolt Adaptor |
| 9. Thru-bolt Cap |
| 10. Thru-bolt Cap Set Screw |
| 11. Handgrip Thru-bolt |
| 12. Thru-bolt Washer |

Door Preparation



Tubular Handle Set

Tubular Latch



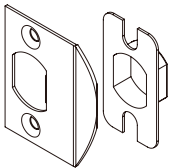
TL5 – Residential Grade
 35 Degree Latch Retraction
 Backset: 2-3/8" (60mm), 2-3/4" (70mm)
 Function: Passage (For Tubular Handle Sets Only)
 Faceplate: 1" x 2-1/4"

Backset	Function	Item No.
2-3/8" (60mm)	Passage	TL561
2-3/4" (70mm)	Passage	TL571

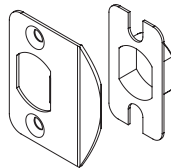
Strikes

All latches come with both T-Strike and Full-lip Strike with square corners. Full-lip Strike with Radius Corner and ASA Strike can be ordered separately.

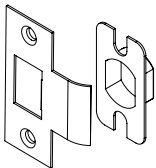
Full-lip Strike
 LSR-D1
 1-3/4" x 2-1/4"



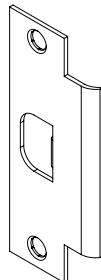
Full-lip Strike 1/4" Corner
 LSR-D14
 1-3/4" x 2-1/4"



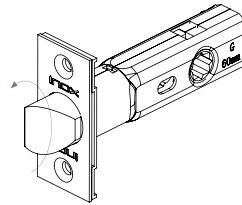
T-Strike
 LSR-T1
 1-1/8" x 2-3/4"
 w/lip 1-1/2" x 1/2"



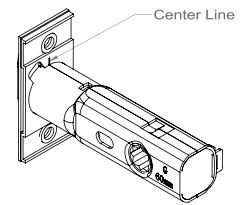
ASA Strike (ANSI Standard)
 LSR-ASA
 1-1/4" x 4-7/8"



Change Latch Bolt Direction For TL5 Latch



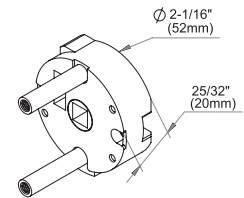
Change the latch direction 180° with the faceplate together.
 Note: Be sure to install the latch with faceplate attached to the latch body.



Note: Please ensure the center line on the back of the faceplate meets the center seam of the latch case.

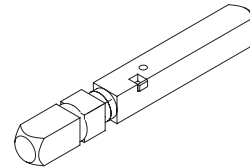
Gear Drive

Slim Gear Drive design fit perfectly in INOX Entrance Handleset Escuthoens.



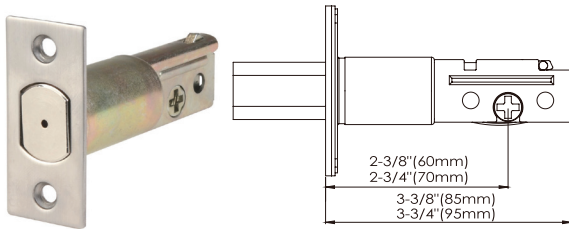
Spindle for Tubular Latch TL5 and Gear Drive

FC-SW8875



Tubular Handle Set

Deadbolt

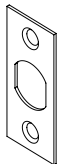


Backset: 2-3/8" (60mm), 2-3/4" (70mm)
 Deadbolt: 1" (25mm) throw with anti-drill pin
 Function: Suitable for entry door or doors needing to be locked
 Faceplate: 2-1/4" x 1"
 Cylinder & Keys: 5-pin Schlage C keyway cylinder with 2 keys

Backset	Item No.
2-3/8"	BT160
2-3/4"	BT170

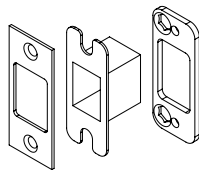
Deadbolt Strike and Faceplate

Deadbolt Faceplate



BT1-FSP

Deadbolt Strike w/
 reinforcement plate
 and dustbox

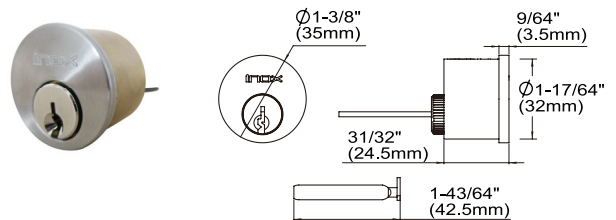


LSR-BT1

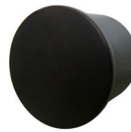
Rim Cylinders

Schlage C Keyway, 5 Pin, with Tailpiece, 2 Keys.
 Standard Keyed Differ (KD).
 Other Keying Service available.

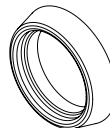
Single Cylinder
 CRB105



Dummy Cylinder
 CRA10D



Cylinder Escutcheon
 EC-R460COL



Thumb-turn
 TT-04C



Care and Maintenance

Lever and Knob Handles

On installation, where the correct procedures, per the instructions, have been carried out the lever handles will not require adjustment. However, all fixings should be checked for tightness at the annual control. Any loose fixings should be adjusted. Badly fitted furniture can cause interference with the operation of the lock and at the same time, damage the surface of the furniture. INOX® snap-on rose covers should only be removed using proper tools. A screw driver blade should never be used as this can distort the rose cap out of alignment and scratch the surfaces of both product and door.

Care of Finishes

Today's environment exerts immense pressures on product material requirements. Products must withstand a diversification of atmospheric conditions, such as high pollution, marine locations, and high humidity climates. Additionally, products must be protected against cleaning agents/solutions and ideally the product should offer hypo-allergenic properties.

Stainless Steel

Stainless steel is renowned for the following two properties; resistance to corrosion and low maintenance requirements. Stainless steel corrosion resistance is attributable to the presence of a thin, durable film of passive, but stable, chromium oxide. Being inert, invisible, extremely adherent and self-repairing, this film provides an unrivalled protection for the steel; should the film be damaged or removed it will regenerate independently, provided that oxygen is present to allow the reaction to occur with the chromium content of the steel. Therefore you must ensure regular cleaning and maintenance, to restore the original surface appearance, prevent corrosion and maintain hygienic conditions.

Cleaning Technique

It is important to clean stainless steel regularly.

- Initially, wash down the surface using soapy water or a mild detergent.
- Always thoroughly rinse the cleaning agent away with clean, warm water.
- To complete the cleaning procedure, dry/polish the item with a soft, dry cloth.

Note: Within aggressive conditions, such as offshore, marine and swimming pool environments, it is especially relevant to ensure that cleaning maintenance occurs regularly.

Discoloration

If spots appear on the surface it is not due to the stainless steel, but to impurities in the water, the air or to cleaning agents that have not been thoroughly removed from the surface.

- Spots can be avoided by careful cleaning.
- If discoloration or spots occur they can be removed by using special polishing agents for stainless steel or a light scouring cream.
- Again rinse thoroughly with clean water and polish with a soft, dry cloth.

What to Avoid!

- Scouring powders
- Steel wool
- Strong abrasive materials

Note: Acid based cleaning solutions, except for hydrochloric acid, may be used on AISI 304 stainless steel as long as thoroughly rinsed with clean water afterwards. For further information on stainless steel, please contact your local INOX® distributor for the INOX® Stainless Steel Technical Details information sheet.

Product Warranty

Limited Lifetime Warranty

Unison Hardware, Inc. warrants that its INOX[®] residential products shall be free from defects in material and workmanship for the life of the product, excluding components made of wood, leather or plastic. This warranty extends to the original purchaser and the first consumer owner only. If a product fails due to defects in material or workmanship during the warranty period we will replace it with the most nearly identical product which we sell at the time or refund the original purchase price. Unison Hardware, Inc. will not be liable for any labor charges or freight costs incurred in connection with repair or replacement of a product. Our sole and maximum liability for defective goods (Sold and manufactured by Unison Hardware, Inc.) shall never exceed the cost of the subject products.

This warranty does not cover:

- a. Damage resulting from negligence, misuse, abuse or accident occurring after installation
- b. Damage due to use outside normal architectural requirements
- c. Defects resulting from any modification or improper installations
- d. Improper torquing (tightening) during or after installation
- e. Improper door preparations
- f. Use of residential grade products in commercial applications (i.e. public building, restaurants, offices etc.)
- g. Products installed within three miles of the ocean
- h. Products installed in exterior application and/or exposed to the outdoor weather or elements

Limited Lifetime Finish Warranty

Unison Hardware, Inc. warrants its INOX[®] products made of stainless steel material against tarnishing. This warranty is extended to the original purchaser of INOX[®] products as long as the User occupies the residential premises on which the Products were originally installed. Not covered under this warranty are:

- a. Products which have been scratched or abraded
- b. Products which have been incorrectly installed or mistreated
- c. Products installed within three miles of water (ocean, lakes, rivers, etc.), harsh environments and/or commercial or industrial applications
- d. Products installed in exterior application and/or exposed to the outdoor weather or elements
- e. Finishes which are specifically designed to wear over time (i.e. Oil Rubbed Bronze finish)

UNISON HARDWARE, INC. MAKES NO OTHER WARRANTY, AND ALL IMPLIED WARRANTIES INCLUDING ANY WARRANTY OF MERCHANTABILITY OR FITNESS FOR A PARTICULAR PURPOSE ARE LIMITED TO THE DURATION OF THE EXPRESSED WARRANTY PERIOD AS SET FORTH ABOVE. THE COMPANY'S MAXIMUM LIABILITY HEREUNDER IS LIMITED TO THE PURCHASE PRICE OF THE PRODUCT. IN NO EVENT SHALL THE COMPANY BE LIABLE FOR ANY CONSEQUENTIAL, INDIRECT, INCIDENTAL OR SPECIAL DAMAGES OF ANY NATURE ARISING FROM THE SALE OR USE OF THIS PRODUCT, WHETHER IN CONTRACT, TORT, STRICT LIABILITY OR OTHERWISE. THIS LIMITED WARRANTY IS IN LIEU OF ALL OTHER WARRANTIES, EXPRESSED OR IMPLIED, INCLUDING THE IMPLIED WARRANTIES OF FITNESS AND MERCHANTABILITY. THERE ARE NO WARRANTIES WHICH EXTEND BEYOND THE DESCRIPTION ON THE FACE HEREOF.