

## Extended Concealed Bracket - Steel



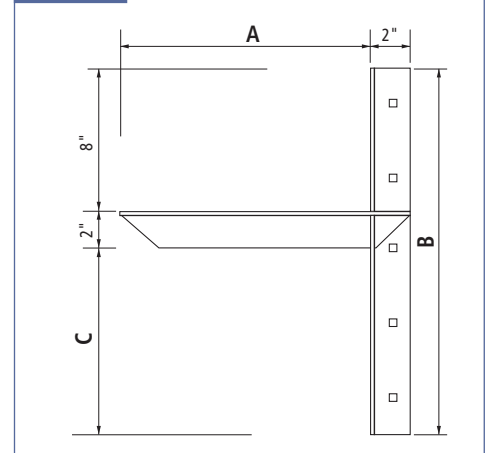
### Features

- ▶▶ Steel construction
- ▶▶ Texture powder coated finish in black and white
- ▶▶ Available with 9, 12, 18, and 24" support arms
- ▶▶ Load rate per pair: 2,320 to 7,350 lbs.
- ▶▶ Square mounting holes to lock bolt in place for single tool tightening
- ▶▶ Mounting bolts, nuts, lock & flat washers included (3/8" x 3")
- ▶▶ Packaging: 2 bracket per box (1 left and 1 right hand bracket)
- ▶▶ Upper extension above support arm along with thicker material, provide superior strength.

### Applications

- ▶▶ Counter tops
- ▶▶ Work surfaces
- ▶▶ Shelving (floating)
- ▶▶ ADA access
- ▶▶ Training rooms
- ▶▶ Benches

### Dimensions



Item Number	A Support Arm		Height B		Height C		Load Rating (pair)		Finish
	inch	mm	inch	mm	inch	mm	lbs	kg	
72531 80 208	9	228	20	508	12	305	7,350	3,334	Black
72531 82 174	9	228	20	508	12	305	7,350	3,334	White
72531 80 209	12	305	20	508	12	305	3,100	1,407	Black
72531 82 175	12	305	20	508	12	305	3,100	1,407	White
72531 80 210	18	457	26	457	18	660	4,500	2,041	Black
72531 82 176	18	457	26	457	18	660	4,500	2,041	White
72531 80 211	24	609	26	457	18	660	2,300	1,053	Black
72531 82 177	24	609	26	457	18	660	2,300	1,053	White